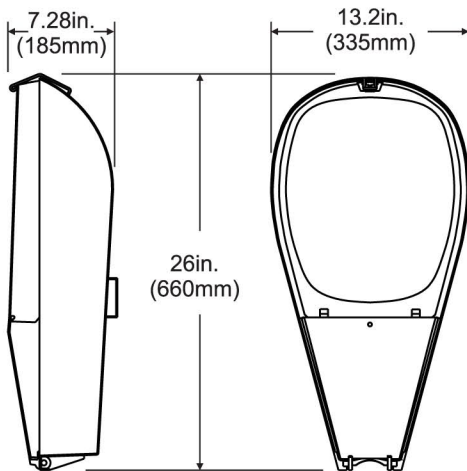




A601F

Ideal for Highway, barnyards, parking lots, rural homes, public entrances, off-street areas, or other commercial and residential applications.

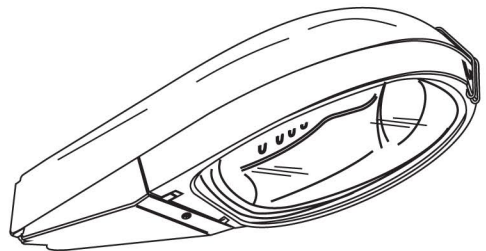
DIMENSIONS



GENERAL SPECIFICATION

- UL listed for wet locations
- Optional dusk to dawn W/ twist-lock photo control
- Aluminum reflector is designed for maximum photometric efficiency and optimum light distribution
- Precision die cast aluminum housing with powder coating finish
- Come with heat impact tempered glass lens
- Ideal for HPS and MH 250 Watts Max

LINE DRAWING



ITEM NO.	LAMP	VOLTS	BALLAST
A601F-S25	HPS250W/ED18/E-39	QUAD	HX-HPF
A601F-H25	MH250W/ED28/E-39	QUAD	HX-HPF

