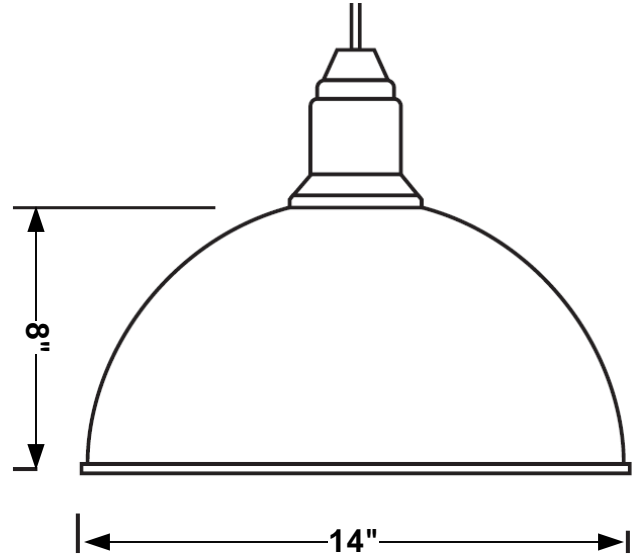
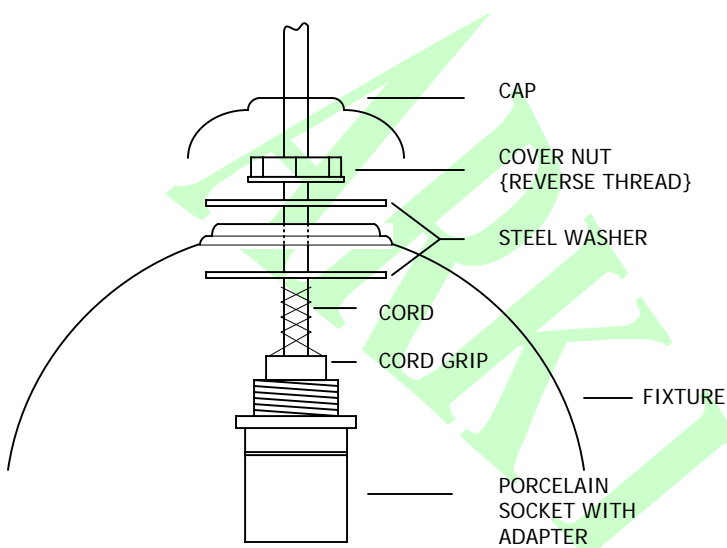




L I G H T I N G

ACD-14

CLEAR ACRYLIC DOME



ACCESSORIES AND OTHER OPTIONS

- Wireguard, globe & guard
- 26W Fluorescent (ballast mounted inside the neck, globe option is required for outdoor use)
- 35 to 50W High pressure sodium (remote ballast, globe option is required for outdoor use)
- 50 to 70W Metal halide (remote ballast, globe option is required or use MP rated lamp for open fixture)

MUST BE INSTALLED BY A QUALIFIED ELECTRICIAN

ETL LISTED FOR WET LOCATION

FIXTURES MUST BE INSTALLED ACCORDING TO LOCAL CODES AND N.E.C. BY A QUALIFIED ELECTRICIAN.
MAKE SURE ALL POWER IS DISCONNECTED PRIOR TO INSTALLATION.

