

AFL16-FT-TR

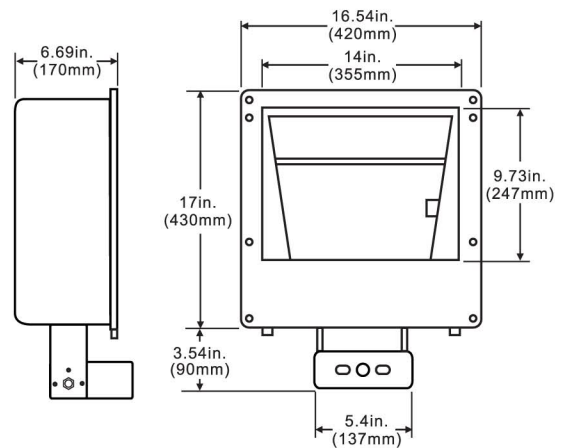
Ideal for building, back yards, parks, signs, sports field, and other general applications where floodlighting may come into use.



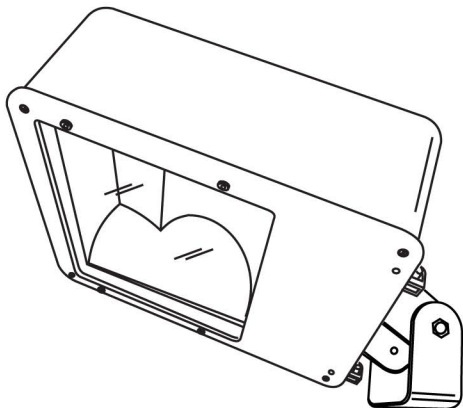
GENERAL SPECIFICATION

- UL and CUL listed for wet locations
- Heavy duty die-cast aluminum powder coating, construction corrosion resistant hardware
- Silicone rubber included to prevent any leakage from the outside
- Heat and impact resistant tempered glass
- Come with anodized aluminum reflector
- Lampholder E-39, 4KV, UL approved
- Ideal for HPS and MH 400 Watts Max

DIMENSIONS



LINE DRAWING



ASSEMBLY PARTS



Vandal Shield

Wire Guard

Visor

ITEM NO.	LAMP	VOLTS	BALLAST
AFL16FT-TR-S25	HPS250W/ED18/E-39	QUAD	HX-HPF
AFL16FT-TR-H25	MH250W/ED28/E-39	QUAD	HX-HPF
AFL16FT-TR-S40	HPS400W/ED18/E-39	QUAD	HX-HPF
AFL16FT-TR-H40	MH400W/ED28/E-39	QUAD	HX-HPF