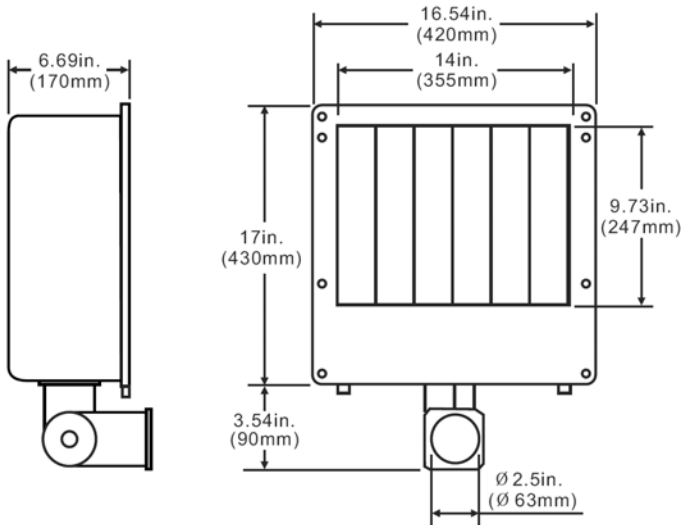




# AFL16



## PRODUCT FEATURES

\*UL LISTED FOR WET LOCATIONS

\*HEAVY DUTY DIE-CAST ALUMINUM HOUSING WITH HIGH IMPACT / HEAT RESISTANT TEMPERED GLASS

\*POWDER COATED DARK BRONZE COLOR FINISH ON THE HOUSING

\*SILICONE RUBBER INCLUDED TO PREVENT LEAKAGE

\*ONE PIECE ANODIZED ALUMINUM DESIGNED REFLECTOR FOR BEST LIGHT EFFICIENCY

\*IDEAL FOR MH 400 WATTS AND HPS 400 WATTS MAX

**400W MAX MH OR HPS  
VOLTAGE 120/208/240/277V  
OR 480V**



AR-PM POST MOUNT



**AFL22-TR TRUNION**

ADJUSTABLE AIMING OVER 180° ARC. MOUNTING CAN BE LOCKED IN PLACE.

**AFL22-SF SLIP FITTER**

DIE CAST SLIP FITTER O.D. 2-3/8" TENNON SIZE. JOINT ADJUSTS OVER 180° ARC.

CATALOG #	RATING	LAMPS	DIMENSIONS
AFL-16-MH	400W MAX (SPECIFY WATTAGE)	METAL HALIDE	16.54" W X 17" H X 6.69" D
AFL-16-HPS	400W MAX (SPECIFY WATTAGE)	HIGH PRESSURE SODIUM	16.54" W X 17" H X 6.69" D
AFL-16-VS	VANDAL SHIELD IMPACT RESISTANT		
AFL-16-WG	WIRE GUARD STAINLESS STEEL CONSTRUCTION		
AFL-16-VR	VISOR TEXTURED BRONZE FINISH		



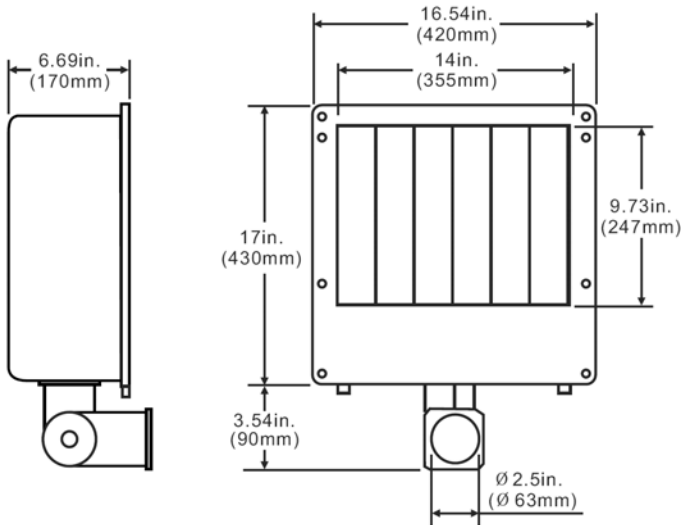
Vandal Shield

Wire Guard

Visor



# AFL16



## PRODUCT FEATURES

\*UL LISTED FOR WET LOCATIONS

\*HEAVY DUTY DIE-CAST ALUMINUM HOUSING WITH HIGH IMPACT / HEAT RESISTANT TEMPERED GLASS

\*POWDER COATED DARK BRONZE COLOR FINISH ON THE HOUSING

\*SILICONE RUBBER INCLUDED TO PREVENT LEAKAGE

\*ONE PIECE ANODIZED ALUMINUM DESIGNED REFLECTOR FOR BEST LIGHT EFFICIENCY

\*IDEAL FOR MH 400 WATTS AND HPS 400 WATTS MAX

**400W MAX MH OR HPS  
VOLTAGE 120/208/240/277V  
OR 480V**



AR-PM POST MOUNT



**AFL22-TR TRUNION**

ADJUSTABLE AIMING OVER 180° ARC. MOUNTING CAN BE LOCKED IN PLACE.

**AFL22-SF SLIP FITTER**

DIE CAST SLIP FITTER O.D. 2-3/8" TENNON SIZE. JOINT ADJUSTS OVER 180° ARC.

CATALOG #	RATING	LAMPS	DIMENSIONS
AFL-16-MH	400W MAX (SPECIFY WATTAGE)	METAL HALIDE	16.54" W X 17" H X 6.69" D
AFL-16-HPS	400W MAX (SPECIFY WATTAGE)	HIGH PRESSURE SODIUM	16.54" W X 17" H X 6.69" D
AFL-16-VS	VANDAL SHIELD IMPACT RESISTANT		
AFL-16-WG	WIRE GUARD STAINLESS STEEL CONSTRUCTION		
AFL-16-VR	VISOR TEXTURED BRONZE FINISH		



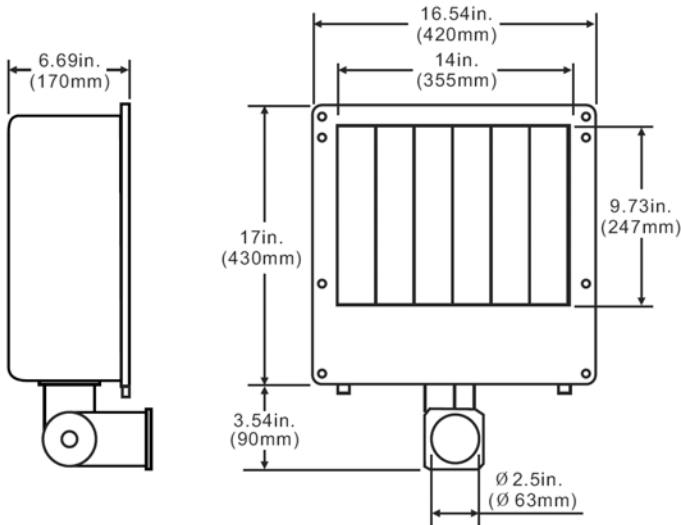
Vandal Shield

Wire Guard

Visor



# AFL16



## PRODUCT FEATURES

\*UL LISTED FOR WET LOCATIONS

\*HEAVY DUTY DIE-CAST ALUMINUM HOUSING WITH HIGH IMPACT / HEAT RESISTANT TEMPERED GLASS

\*POWDER COATED DARK BRONZE COLOR FINISH ON THE HOUSING

\*SILICONE RUBBER INCLUDED TO PREVENT LEAKAGE

\*ONE PIECE ANODIZED ALUMINUM DESIGNED REFLECTOR FOR BEST LIGHT EFFICIENCY

\*IDEAL FOR MH 400 WATTS AND HPS 400 WATTS MAX

**400W MAX MH OR HPS  
VOLTAGE 120/208/240/277V  
OR 480V**



AR-PM POST MOUNT



**AFL22-TR TRUNION**

ADJUSTABLE AIMING OVER 180° ARC. MOUNTING CAN BE LOCKED IN PLACE.

**AFL22-SF SLIP FITTER**

DIE CAST SLIP FITTER O.D. 2-3/8" TENNON SIZE. JOINT ADJUSTS OVER 180° ARC.

CATALOG #	RATING	LAMPS	DIMENSIONS
AFL-16-MH	400W MAX (SPECIFY WATTAGE)	METAL HALIDE	16.54" W X 17" H X 6.69" D
AFL-16-HPS	400W MAX (SPECIFY WATTAGE)	HIGH PRESSURE SODIUM	16.54" W X 17" H X 6.69" D
AFL-16-VS	VANDAL SHIELD IMPACT RESISTANT		
AFL-16-WG	WIRE GUARD STAINLESS STEEL CONSTRUCTION		
AFL-16-VR	VISOR TEXTURED BRONZE FINISH		



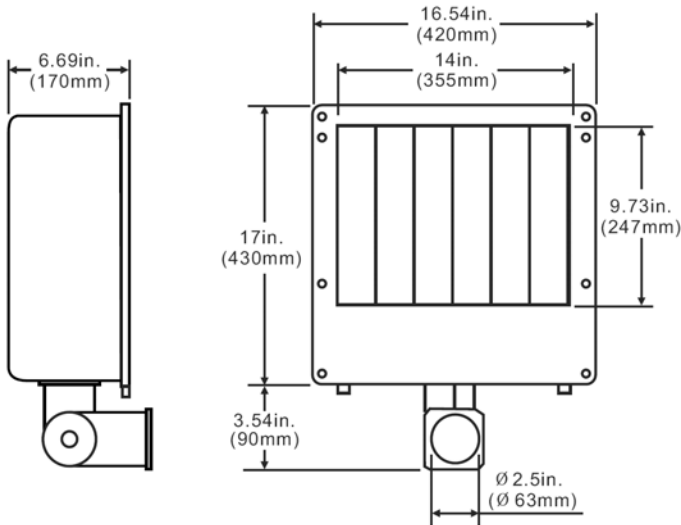
Vandal Shield

Wire Guard

Visor



# AFL16



## PRODUCT FEATURES

\*UL LISTED FOR WET LOCATIONS

\*HEAVY DUTY DIE-CAST ALUMINUM HOUSING WITH HIGH IMPACT / HEAT RESISTANT TEMPERED GLASS

\*POWDER COATED DARK BRONZE COLOR FINISH ON THE HOUSING

\*SILICONE RUBBER INCLUDED TO PREVENT LEAKAGE

\*ONE PIECE ANODIZED ALUMINUM DESIGNED REFLECTOR FOR BEST LIGHT EFFICIENCY

\*IDEAL FOR MH 400 WATTS AND HPS 400 WATTS MAX

**400W NAX MH OR HPS  
VOLTAGE 120/208/240/277V  
OR 480V**



AR-PM POST MOUNT



**AFL22-TR TRUNION**

ADJUSTABLE AIMING OVER 180° ARC. MOUNTING CAN BE LOCKED IN PLACE.

**AFL22-SF SLIP FITTER**

DIE CAST SLIP FITTER O.D. 2-3/8" TENNON SIZE. JOINT ADJUSTS OVER 180° ARC.

CATALOG #	RATING	LAMPS	DIMENSIONS
AFL-16-MH	400W MAX (SPECIFY WATTAGE)	METAL HALIDE	16.54" W X 17" H X 6.69" D
AFL-16-HPS	400W MAX (SPECIFY WATTAGE)	HIGH PRESSURE SODIUM	16.54" W X 17" H X 6.69" D
AFL-16-VS	VANDAL SHIELD IMPACT RESISTANT		
AFL-16-WG	WIRE GUARD STAINLESS STEEL CONSTRUCTION		
AFL-16-VR	VISOR TEXTURED BRONZE FINISH		



Vandal Shield

Wire Guard

Visor