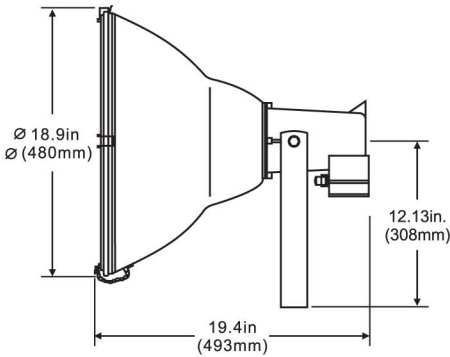


AFL201

Ideal for building, back yards, parks, signs, sports field, and other general applications where floodlighting may come into use.



DIMENSIONS



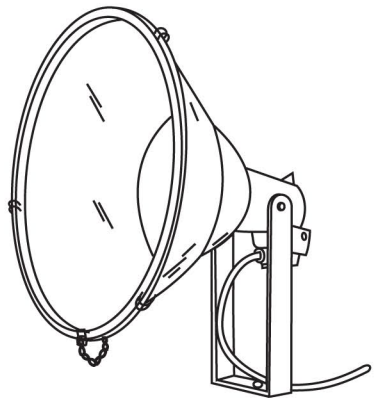
GENERAL SPECIFICATION

- Heavy duty die-cast aluminum, construction corrosion resistant hardware
- Silicone rubber included to prevent any leakage from the outside
- Heat and impact resistant tempered glass
- Come with anodized aluminum reflector
- Lampholder E-39, 4KV, UL approved
- Ideal for HPS and MH 1000 Watts Max

ELECTRIC BOX



FOB CHINA ONLY



ITEM NO.	LAMP	VOLTS	BALLAST
FL201-S100	HPS1000W/E25/E-39	QUAD	HX-HPF
FL201-H100	MH1000W/BT37/E-39	QUAD	HX-HPF