



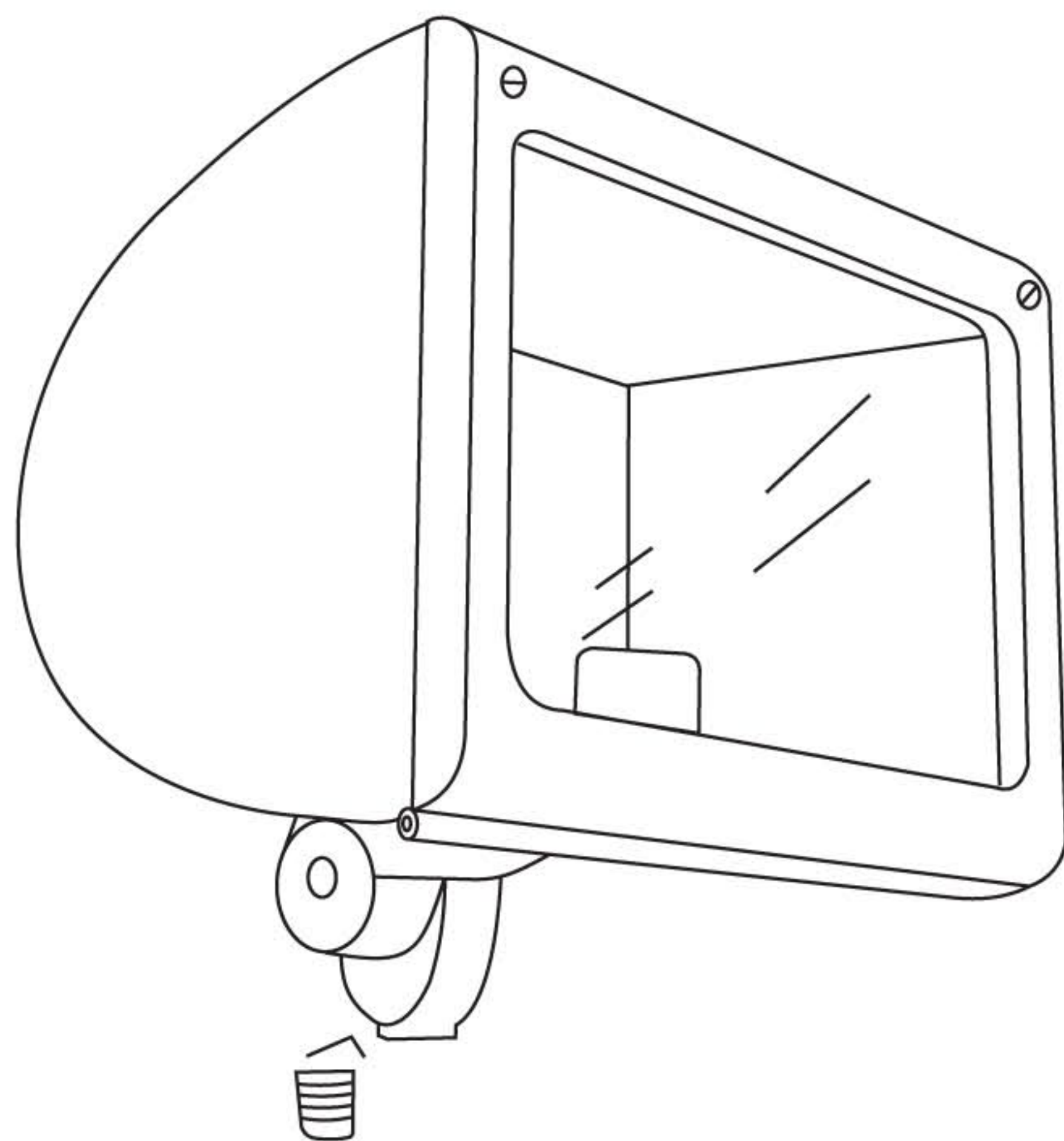
AFL215-SFS

Ideal for building, back yards, parks, signs, sports field, and other general applications where floodlighting may come into use.

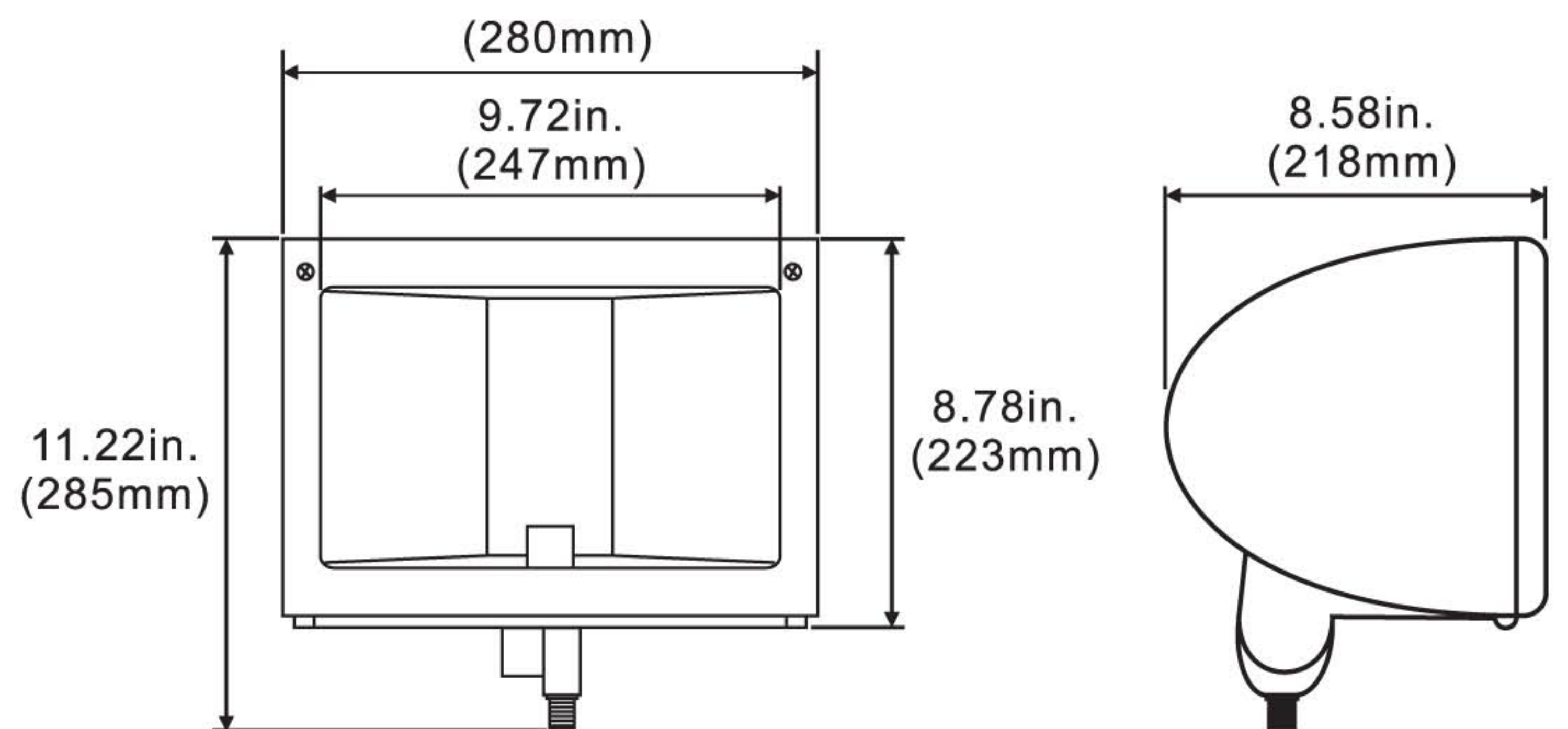
GENERAL SPECIFICATION

- UL and CUL listed for wet locations
- Heavy duty die-cast aluminum powder coating, construction corrosion resistant hardware
- Silicone rubber included to prevent any leakage from the outside
- Heat and impact resistant tempered glass
- Come with anodized aluminum reflector
- Lampholder E-26, UL approved
- Ideal for HPS 150 Watts and MH 175 Watts Max

LINE DRAWING



DIMENSIONS



ASSEMBLY PARTS



Base(OB-003) Slip Fitter(SFS) Slip Fitter(SF) Vandal Shield Visor

ITEM NO.	LAMP	VOLTS	BALLAST
FL215-SFS-S15	HPS150W/ED17/E-26	QUAD	HX-HPF
FL215-SFS-H17	MH175W/ED17/E-26	QUAD	HX-HPF
FL215-SFB-S15	HPS150W/ED17/E-26	QUAD	HX-HPF
FL215-SFB-H17	MH175W/ED17/E-26	QUAD	HX-HPF