

AFL225S

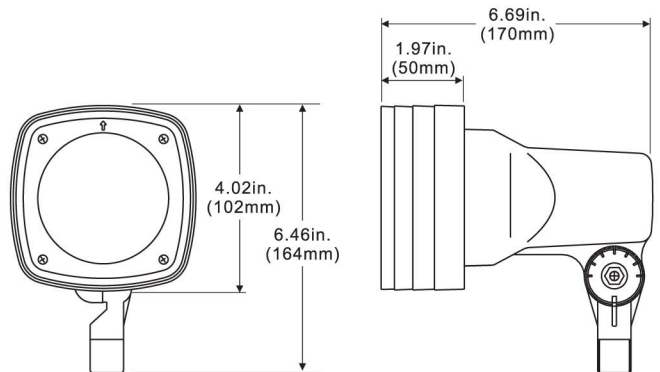


Ideal for back yards, parks, signs, lawns and so on.
Designed for use with incandescent lamps, the fixture
accepts the popular PAR type lamps.

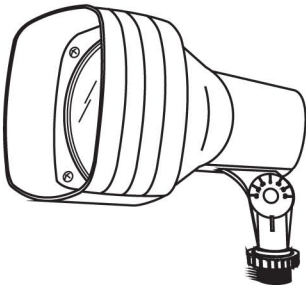
GENERAL SPECIFICATION

- UL and CUL listed for wet locations and landscape mounting
- Heavy duty die-cast aluminum powder coating, construction corrosion resistant hardware
- Knuckle allows total adjustability, suitable for either up or down lighting applications
- High impact resistant tempered glass
- Silicone gasket to insure superior weatherproof seal
- Lampholder E-26, UL approved
- Ideal for INCAN PAR20 50Watts, PAR16 75Watts and R 50Watts Max

DIMENSIONS



LINE DRAWING



ASSEMBLY PARTS



Mounting Plate Ground Post

ITEM NO.	VOLTS	LAMP
FL225S-I07	120/220	PAR16 75W/E26