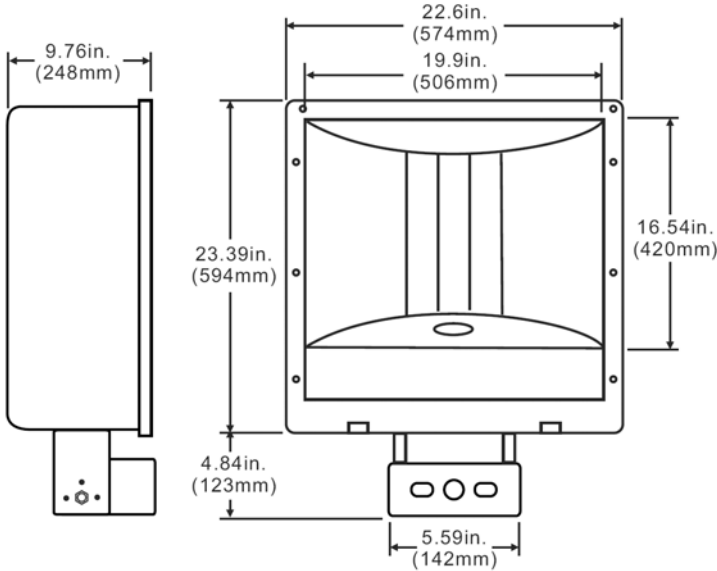




# AFL22

## LIGHTING



### PRODUCT FEATURES

\*UL LISTED FOR WET LOCATIONS

\*HEAVY DUTY DIE-CAST ALUMINUM HOUSING WITH HIGH IMPACT / HEAT RESISTANT TEMPERED GLASS

\*POWDER COATED DARK BRONZE COLOR FINISH ON THE HOUSING

\*SILICONE RUBBER INCLUDED TO PREVENT LEAKAGE

\*ONE PIECE ANODIZED ALUMINUM DESIGNED REFLECTOR FOR BEST LIGHT EFFICIENCY

\*IDEAL FOR MH 1000 WATTS AND HPS 1000 WATTS MAX

**1000W MAX MH OR HPS  
VOLTAGE 120/208/240/277V  
OR 480V**



AR-PM POST MOUNT



**AFL22-TR TRUNION**

ADJUSTABLE AIMING OVER 180° ARC. MOUNTING CAN BE LOCKED IN PLACE.



**AFL22-SF SLIP FITTER**

DIE CAST SLIP FITTER O.D. 2-3/8" TENNON SIZE. JOINT ADJUSTS OVER 180° ARC.

CATALOG #	RATING	LAMPS	DIMENSIONS
AFL-22-MH	1000W MAX (SPECIFY WATTAGE)	METAL HALIDE	22.6"W X 23.39"H X 9.76"D
AFL-22-HPS	1000W MAX (SPECIFY WATTAGE)	HIGH PRESSURE SODIUM	22.6"W X 23.39"H X 9.76"D
AFL-22-VS	VANDAL SHIELD IMPACT RESISTANT		
AFL-22-WG	WIRE GUARD STAINLESS STEEL CONSTRUCTION		
AFL-22-VR	VISOR TEXTURED BRONZE FINISH		



Vandal Shield

Wire Guard

Visor