

AFL235

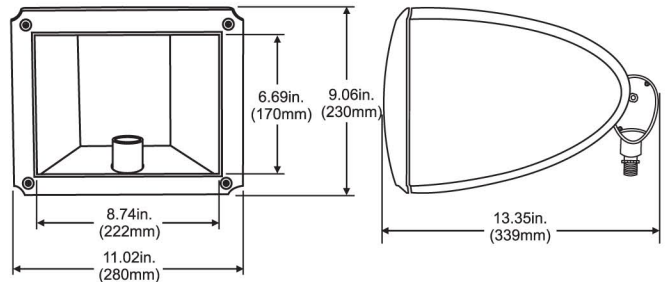


Ideal for building, back yards, parks, signs, sports field, and other general applications where floodlighting may come into use.

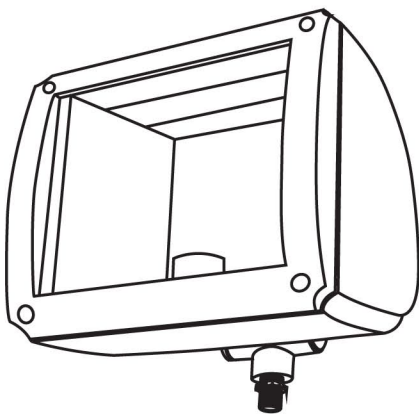
GENERAL SPECIFICATION

- UL and CUL listed for wet locations
- Sleek design meeting the requirement of modern designers
- Heavy duty die-cast aluminum, powder coating construction, corrosion resistant hardware
- Hidden hinged design, unobstrusive from the outside
- Captive screws prevent from falling out during installation
- Silicone rubber included to prevent any leakage from the outside
- Heat and impact resistant tempered glass
- Come with anodized aluminum reflector
- Lampholder E-26, UL approved
- Ideal for HPS150 Watts and MH175 Watts Max

DIMENSIONS



LINE DRAWING



ASSEMBLY PARTS



Base(OB-003)

ITEM NO.	LAMP	VOLTS	BALLAST
FL235-S15	HPS150W/ED17/E-26	QUAD	HX-HPF
FL235-H17	MH175W/ED17/E-26	QUAD	HX-HPF