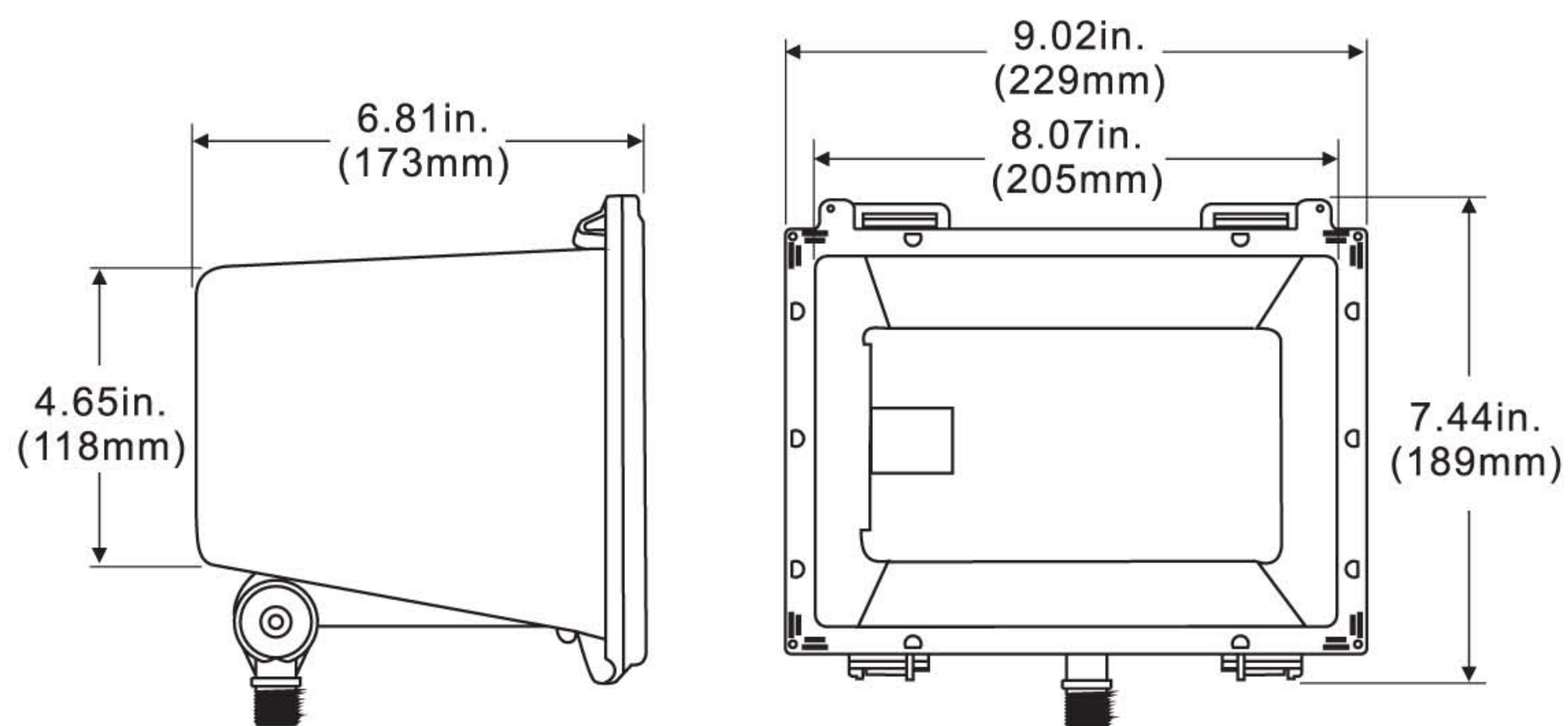




AFL32

Ideal for building, back yards, parks, signs, sports field, and other general applications where floodlighting may come into use.

DIMENSIONS



GENERAL SPECIFICATION

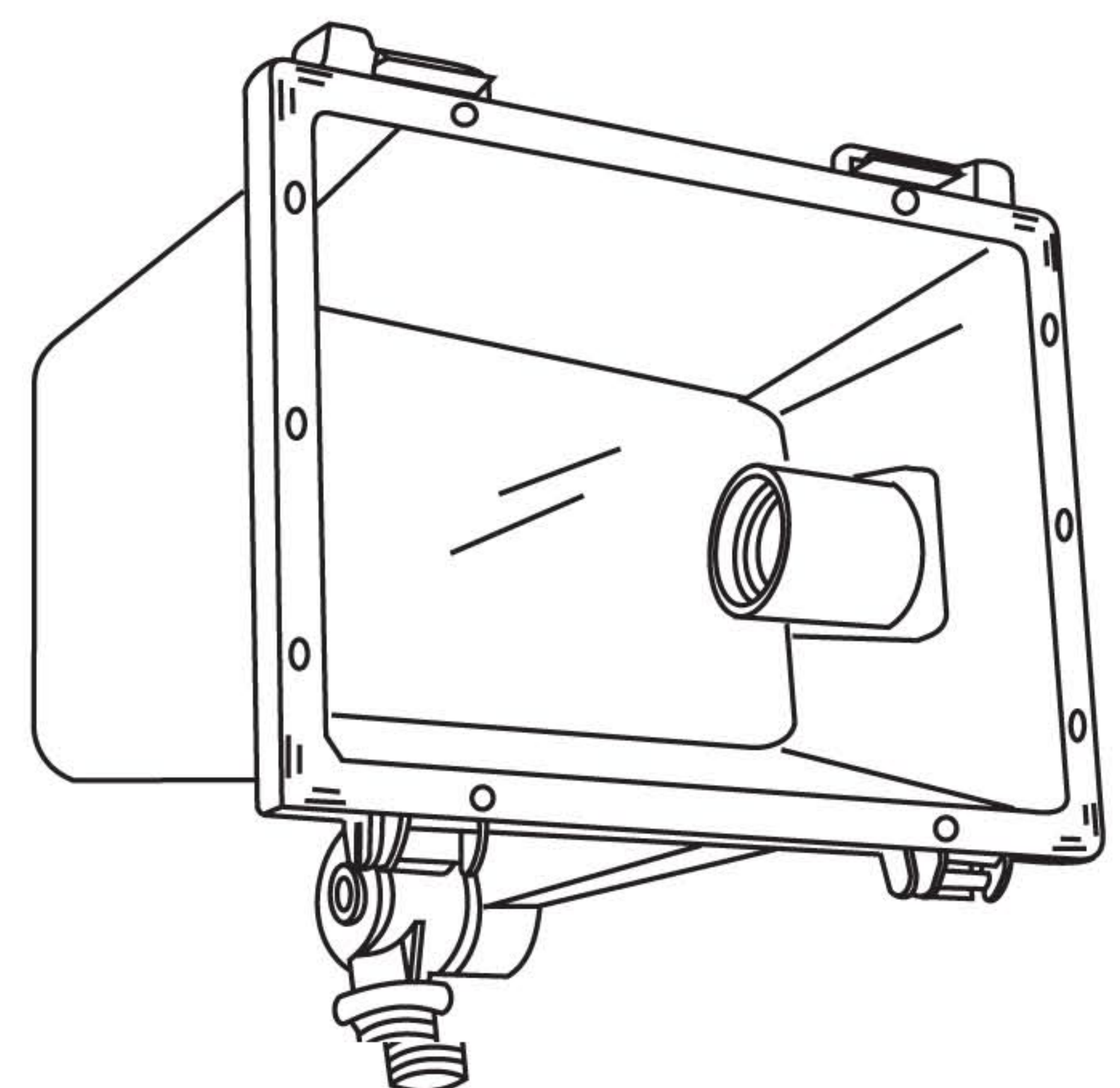
- UL and CUL listed for wet locations
- Heavy duty die-cast aluminum powder coating, construction corrosion resistant hardware
- Silicone rubber included to prevent any leakage from the outside
- Heat and impact resistant tempered glass
- Come with anodized aluminum reflector
- Lampholder E-26, UL approved
- Ideal for HPS150 Watts and MH100 Watts Max

ASSEMBLY PARTS



Base(OB-003)

LINE DRAWING



ITEM NO.	LAMP	VOLTS	BALLAST
AFL32-S15	HPS150W/ED17/E-26	QUAD	HX-HPF
AFL32-H10	MH100W/ED17/E-26	QUAD	HX-HPF