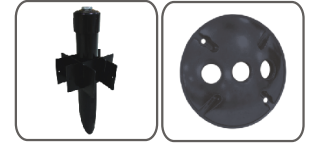


# AFLL-217



These LED lights have transformed the landscape lighting environment. Utilizing performance, optics, and long lasting driver, these landscape lights will last for years to come. With various optical lenses, this luminaire can provide a narrow beam or wide beam, allowing fixture to fit into any environment. Die-cast aluminum provides the fittings a rugged protection against the elements.

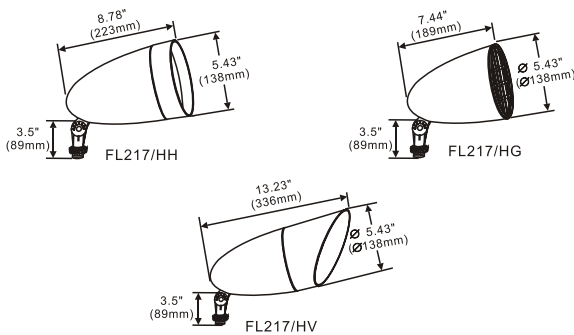


PVC Pipe

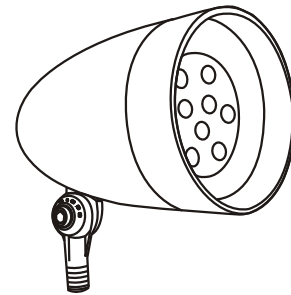
Junction Box

Optional now in 3000K\*/4000K\*/5000K\*

## Dimensions



## Line Drawing



## Features

- Die-cast aluminum housing
- Durable powder coating weatherproof paint
- Integral glare shield and tempered glass
- Versatile mounting choices
- UL and CUL listed for wet locations
- Various optical lenses available
- Finish - Bronze

## Specification

Model No.	System watts	Lumen Output	Color	MA	Input Voltage	CRI	Starting Temp	Equivalent
<b>AFLL-217/HH</b>	15	1073lm**	4700K	480MA	120~277V	70+	-40°C	50W - 70W MH
<b>AFLL-217/HG</b>	15	1073lm**	4700K	480MA	120~277V	70+	-40°C	50W - 70W MH
<b>AFLL-217/HV</b>	15	1073lm**	4700K	480MA	120~277V	70+	-40°C	50W - 70W MH

\* Different colors are available with 4 week lead time.

\*\*DISCLAIMER: This test report was produced in accordance with IES LM-79 photometric testing protocol for luminaires, using a single representative test fixture. Actual production units may vary from the values reported here by up to ±10%.

Powered by **CREE** LED.

