

AHB-11-AL22

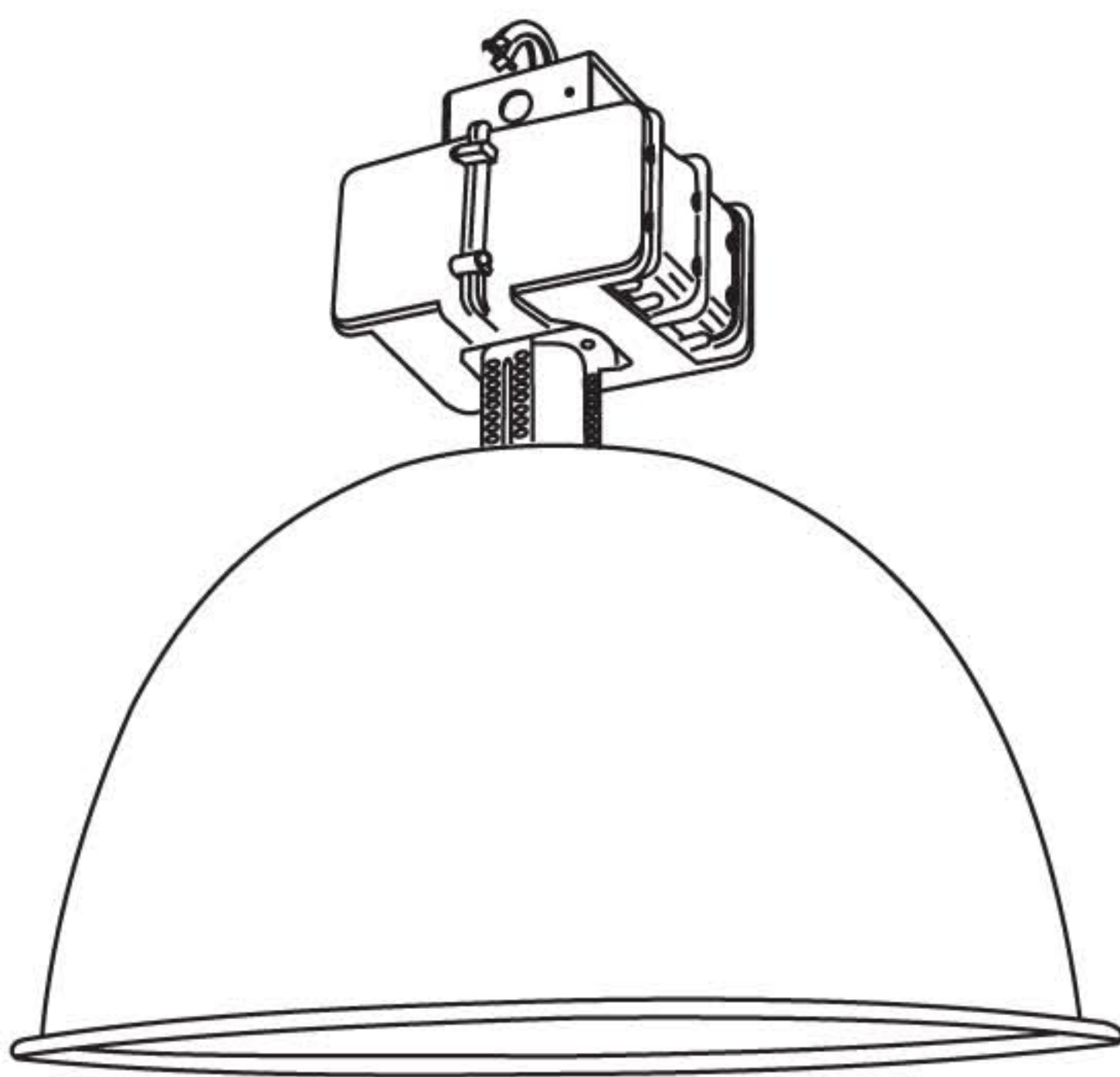
For over 20 ft. (6 meter) applications factories, foundries, machines shops, warehouse, and large retail stores.



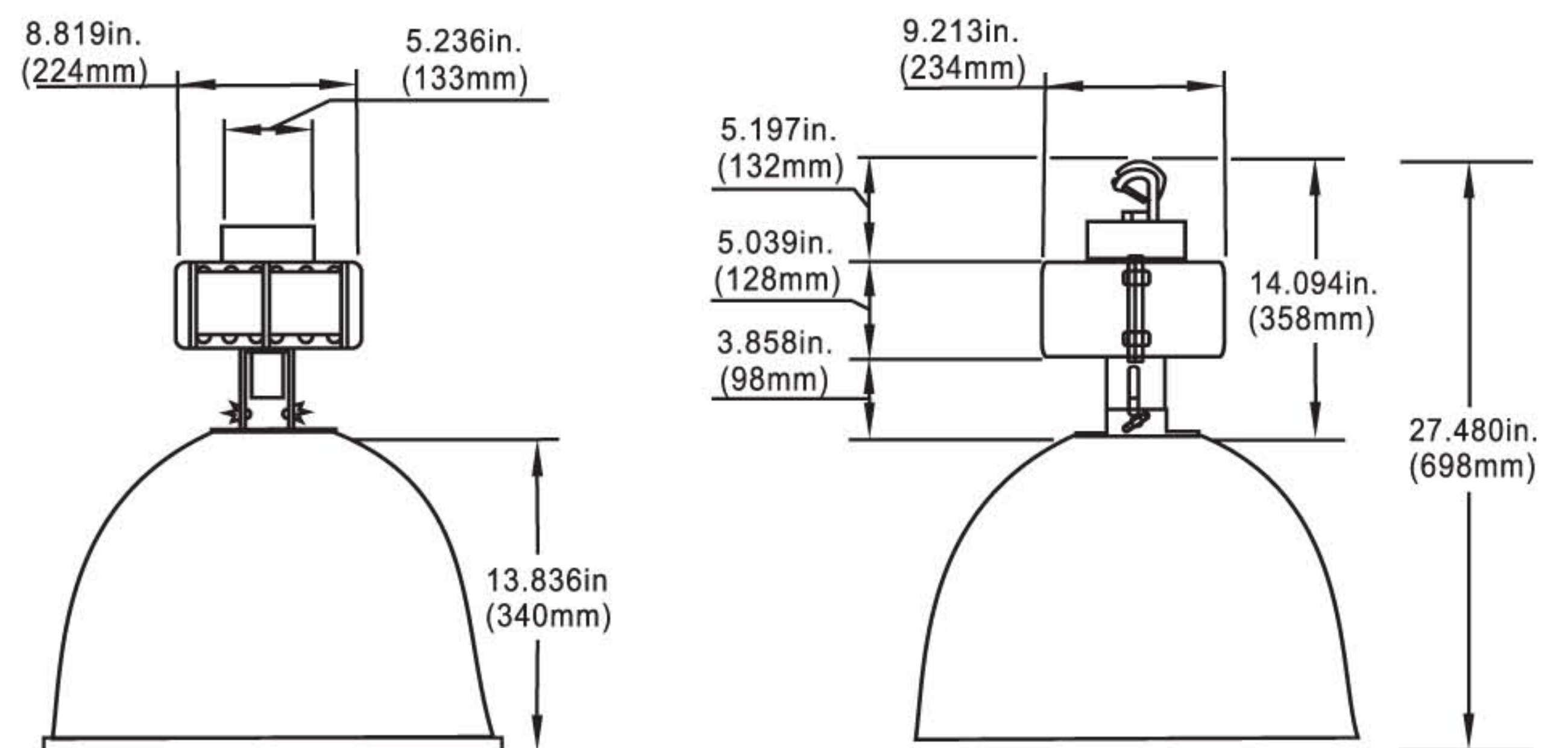
GENERAL SPECIFICATION

- UL and CUL listed for damp locations
- Superior heavy duty die cast aluminum construction with white powder coating finish
- Mogul base socket-E39 standard, UL approved
- Comes with a hook for easy mounting
- Anodized aluminum reflector
- Reflector comes in 22 inches white
- Ideal for HPS and MH 400 Watts Max

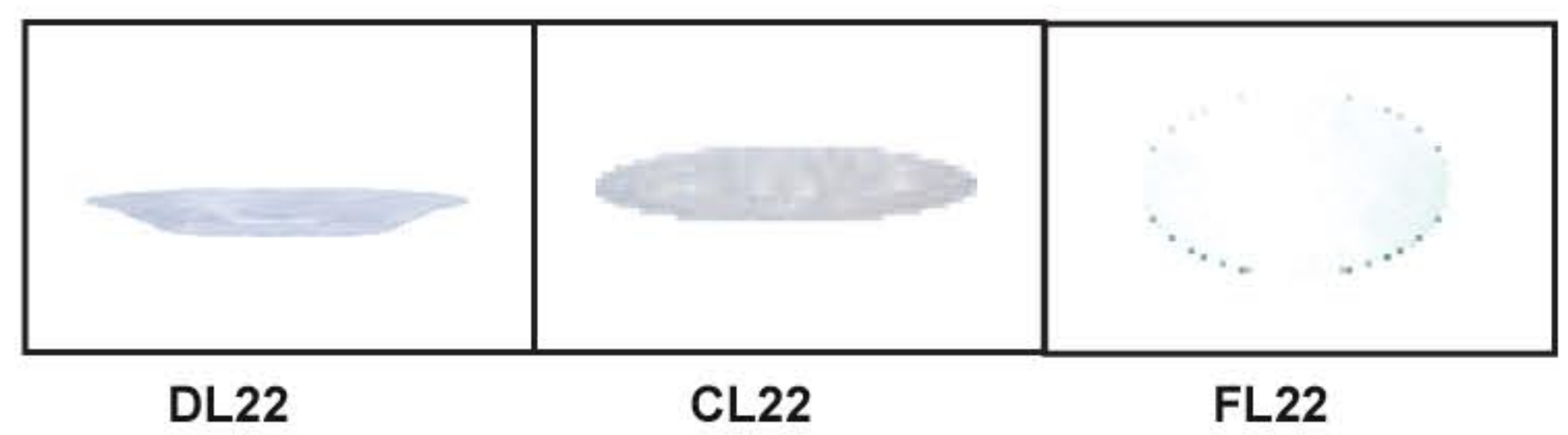
LINE DRAWING



DIMENSIONS



ASSEMBLY PARTS



ITEM NO.	LAMP	VOLTS	BALLAST
AHB-11-AL22-400HPS	HPS400W/ED18/E-39	QUAD	HX-HPF
AHB-11-AL22-400MH	MH400W/ED28/E-39	QUAD	HX-HPF