



# AHB11-AL116

## HIGH BAY 16" ALUMINUM REFLECTOR

### APPLICATIONS

FOR OVER 20' FOOT APPLICATIONS ,FACTORIES, MACHINES SHOPS WAREHOUSE, SPORTS ARENA AND LARGE RETAIL STORES.

### SPECIFICATION FEATURE

**UL LISTED** FOR DAMP LOCATIONS

**BALLAST HOUSING.** HEAVY DUTY DIE-CAST ALUMINUM CONSTRUCTION , WHITE POWDER COAT FINISH

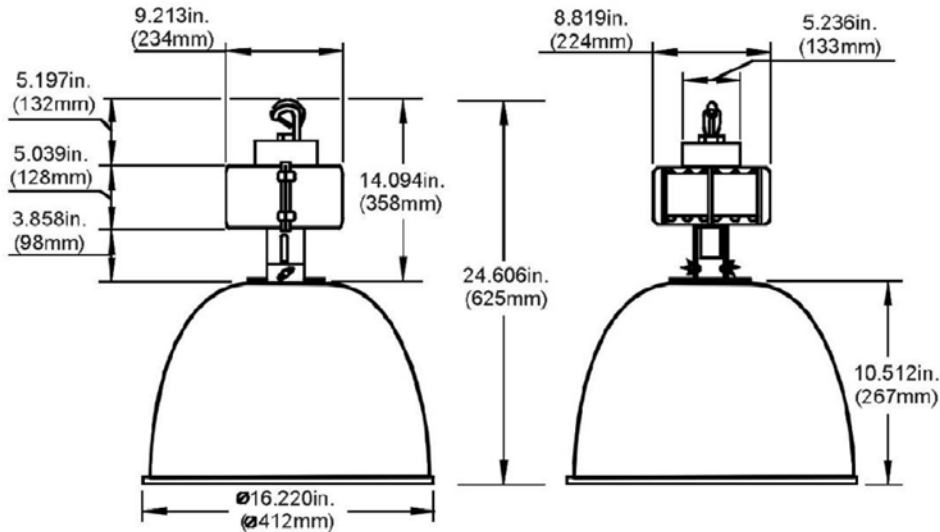
**SOCKET.** PORCELAIN MOGUL BASE SOCKET-E39 STANDARD ,UL APPROVED

**MOUNTING** COMES WITH A HOOK FOR EASY MOUNTING , A 3/4" THREADED TOP OPENING TO A STEEL JUNCTION BOX FOR EXTEND PIPE OR A 3' CORD PLUG (ORDERED SEPARATELY)

**BALLAST** HIGH POWER FACTOR 60Hz BALLAST MULTI VOLTAGE 120/208/240/277V (CAN BE ORDER IN 480V OR PULSE-START METAL HALIDE)

**REFRACTORS-** 16" ADJUSTABLE ALUMINUM

**WATTS MAX** IDEAL FOR100-400 MH OR100-400 HPS



| FIXTURE PREFIX | WATTAGE | LIGHT                | VOLTAGE             | REFLECTOR          | ACCESSORIES & OPTION                                       |
|----------------|---------|----------------------|---------------------|--------------------|--|
| AHB11          | 100     | MH=METAL HALIDE      | MT=120/208/240/277V | AR122=22" ACRYLIC  | DL=DROP LENS   |
|                | 175     | MH=METAL HALIDE      | 480=480V            | AR116=16" ACRYLIC  | FL=FLAT LENS   |
|                | 250     | MH=METAL HALIDE      |                     | AL122=22" ALUMINUM | CL=CONICAL LENS  |
|                | 320     | MH=METAL HALIDE PS   |                     | AL116=16" ALUMINUM | WG=WIRE GUARD  |
|                | 400     | MH=METAL HALIDE      |                     |                    | A16310P-120=10' CORD NEMA 5-15P                            |
|                | 100     | HPS=HIGH PRES SODIUM |                     |                    | A16330P-120=3' CORD NEMA 5-15P                             |
|                | 150     | HPS=HIGH PRES SODIUM |                     |                    | A16333P-240= 3' CORD NEMA L6-15                            |
|                | 250     | HPS=HIGH PRES SODIUM |                     |                    | A1633P-277 3' CORD NEMA L715P                              |
|                | 400     | HPS=HIGH PRES SODIUM |                     |                    | APP-01=RIGID 1/2" DIA STEM<br>QRS=120V RESTRIKE SOC & LAMP |

EXAMPLE OF A TYPICAL ORDER

**AHB11 400 MH MT AR122 DL**

