

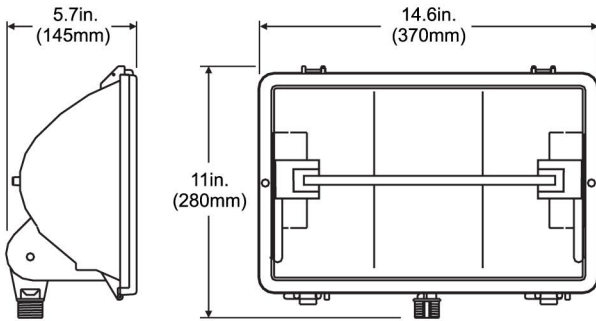
# AHL1500QA

Building facades, signs, sports fields, and other general floodlighting applications.

Emergency and temporary floodlighting.



## DIMENSIONS



## GENERAL SPECIFICATION

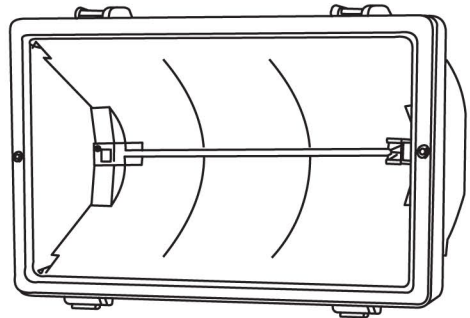
- UL and CUL listed for wet locations
- Die-cast aluminum construction
- Tempered door glass
- Hinged front door
- Specular aluminium reflector
- Dark bronze or white finish
- Ideal for 1500 Watts Halogen Lamp Max
- Lamp included

## ASSEMBLY PARTS



Base(OB-003)

## LINE DRAWING



ITEM NO.

LAMP

HL1500QA

1500W QUARTZ HALOGEN BULB MAX