

ALB-11-AL16

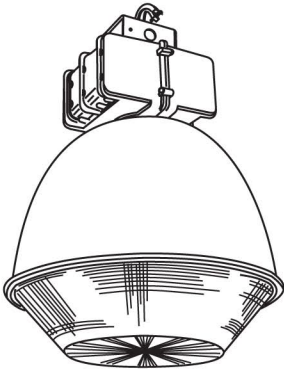


For over 20 ft. (6 meter) applications factories, foundries, machines shops, warehouse, and large retail stores.

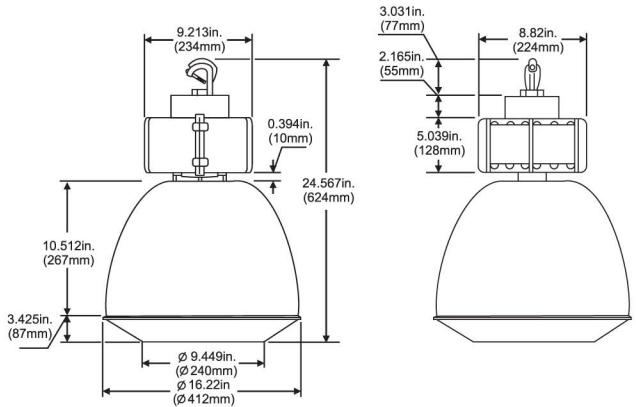
GENERAL SPECIFICATION

- UL and CUL listed for damp locations
- Superior heavy duty die cast aluminum construction with white powder coating finish
- Mogul base socket-E39 standard, UL approved
- Comes with a hook for easy mounting
- Anodized aluminum which has been spun
- Reflector comes in 16 inches white
- Ideal for HPS and MH 250 Watts Max

LINE DRAWING



DIMENSIONS



ASSEMBLY PARTS



ITEM NO.	LAMP	VOLTS	BALLAST
ALB-11-AL16-250HPS	HPS250W/ED18/E-39	QUAD	HX-HPF
ALB-11-AL16-250MH	MH250W/ED28/E-39	QUAD	HX-HPF

