

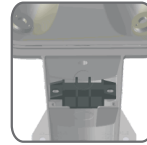
# ALED-772-T3



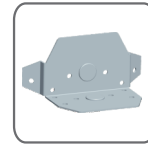
Dusk to Dawn Fixture of the future is here. Utilizing a single source LED, this dusk to dawn provides prismatic-designed light output for any environment. It comes with NEMA approved Photocontrol which used with LED provides significant power savings. Maintaining all the strengths of the traditional dusk to dawn fixtures such as installation brackets and arms while utilizing the latest generation of LEDs, this LED dusk to dawn will last for years to come.



Aluminum anodized arm



Terminal block



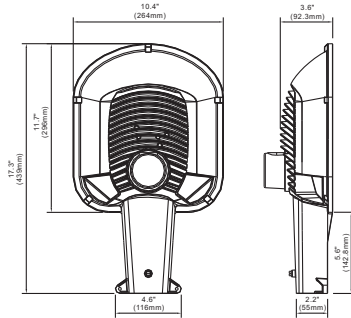
Wall mount & Wood pole mount



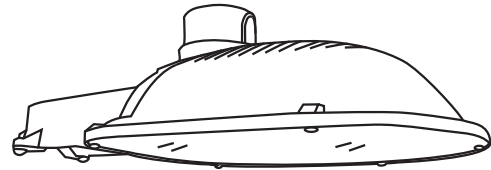
Optional photo control

Optional now in 3000K\*/4000K\*/5000K\*

## Dimensions



## Line Drawing



## Features

- Solid construction die-cast aluminum body
- UV stabilized powder coated finish
- UL and CUL listed for wet locations

- Uniform light distribution
- Finish – Bronze / Silver / Black/ Others

## Specification

Model No.	System watts	Lumen Output	Color	MA	Input Voltage	CRI	Starting Temp	Equivalent
<b>ALED-772-T3</b>	34	3675lm**	5000K	950MA	120~277V	70+	-40°C	150W MH
<b>ALED-772-T3</b>	52	6432lm**	5000K	950MA	120~277V	70+	-40°C	250W MH

\* Different colors are available with 4 week lead time.

\*\*DISCLAIMER: This test report was produced in accordance with IES LM-79 photometric testing protocol for luminaires, using a single representative test fixture. Actual production units may vary from the values reported here by up to ±10%.

