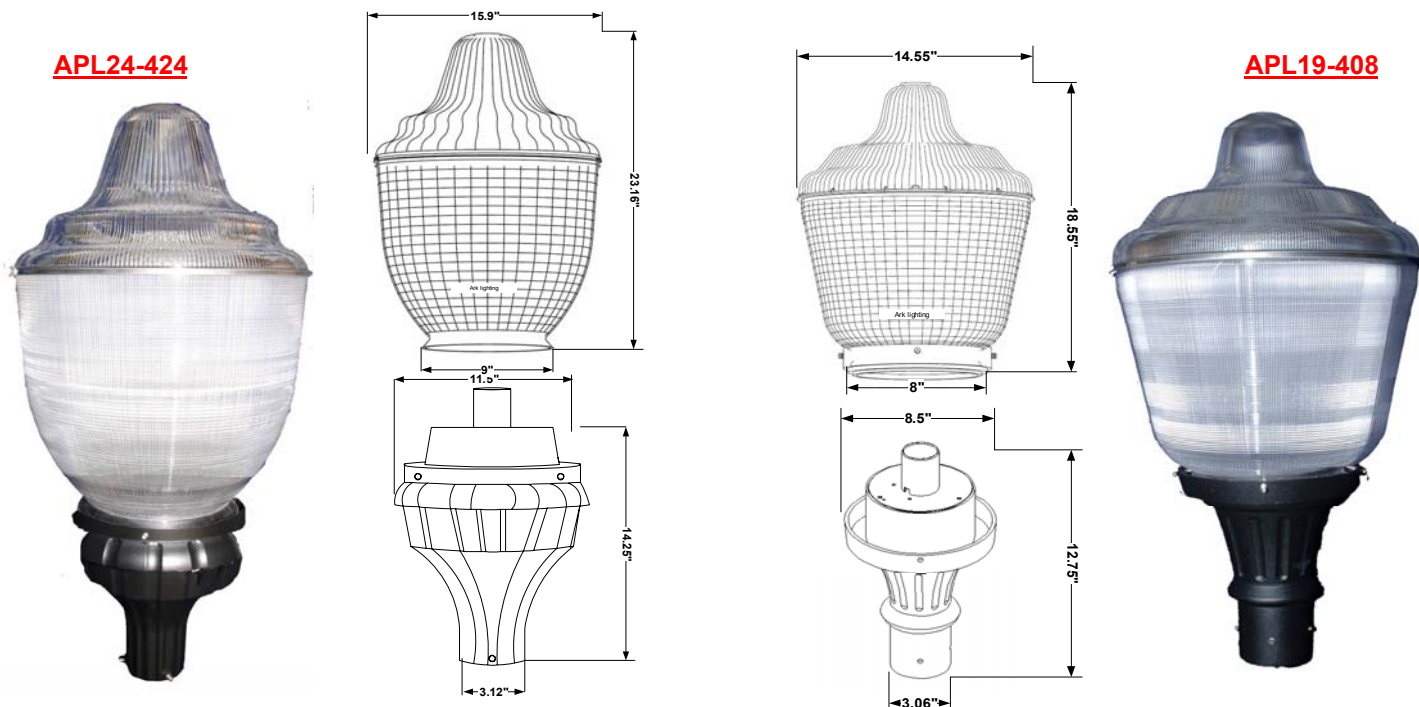


**APPLICATIONS :** THE PRISMATIC TOP ARE FOR USE IN PARKS, WALKWAYS, ROADWAYS OR AREAS WHERE A DISTINCTIVE NOSTALGIC THEME IS PREVALENT.

DIE CAST HOUSING, STAMPED STEEL PLATE, BALLAST, CAPACITOR, AND IGNITOR BRACKETS, SET SCREWS, PORCELAIN SOCKET, SMOOTH BLACK FINISH. GRACEFUL DESIGN ACCOMMODATES 3" POLES. STANDARD MODEL AVAILABLE WITH EITHER MEDIUM OR MOGUL BASE SOCKET, ACCOMMODATES 8" GLOBES. DELUXE MODEL HAS HINGED DESIGN AND MOGUL BASE SOCKET, ACCOMMODATES 9" GLOBES.



MODEL #	COLOR	LAMP TYPE	WATTS	VOLTAGE
**APL19-408	(CM) CAMEL	A (INC)	42W	120V
APL24-424	(VG) VERDE GREEN	(PL) FLUORESCENT	100W	208V
	(BR) BROWN	MH	150W	240V
	(BK) BLACK	HPS	175W	277V
	(WH) WHITE		250W	480V
	(CUS) CUSTOM COLOR		400W	

\*\*MAX 175W MH

SAMPLE ORDER

**APL19-408-BK-MH-175-277V**

POLE FITTER GLASS & BRACKETS (OPTIONAL)

GLR63

GLASS: CLEAR MOLDED BOROSILICATE PRISMATIC GLASS REFRACTOR FOR POLE TOP FITTERS AND BOLLARDS. OPEN TOP ELIMINATES NECESSITY OF REMOVING REFRACTOR FOR RELAMPING. USE WITH ENCLOSED GLOBES. AVAILABLE IN I.E.S. TYPE 3 AND TYPE 5 LIGHT DISTRIBUTIONS. SIZE TOP DIA 6-5/8" HEIGHT 7" BASE DIA 5-1/4"

GLR65

PFGRB

BRACKET: CAST ALUMINUM BRACKET, USE WITH GLASS REFRACTORS

