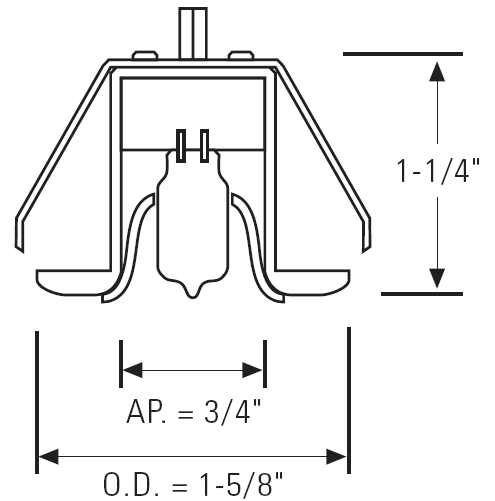
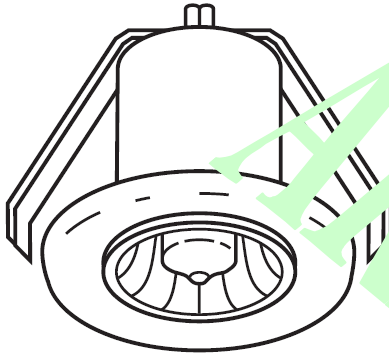




# ARLV1500

1-5/8" RECESSED TRIM JC TYPE 12V 10W



**Trim Finishes:** CH = CHROME  
**Lamp & Wattage** JC TYPE 12V 10W (sold separately)  
**Socket Type:** Bi Pin  
**Accessories:** CLASS 2 WIRING REQUIRE (sold separately)

### Warning

The FIXTURE MUST BE WIRED AND INSTALL BY A QUALIFIED ELECTRICIAN,