

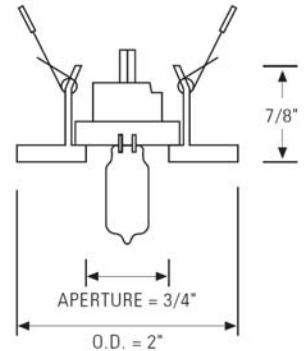
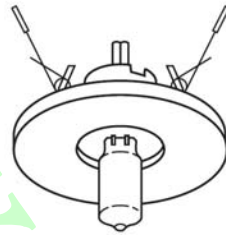


ARLV1800

2" RECESSED TRIM JC TYPE 12V 10W



ARLV-1800



Trim Finishes:
Lamp & Wattage
Socket Type:
Accessories:

BL = BLACK, WH = WHITE
JC TYPE 12V 10W (sold separately)
Bi Pin
CLASS 2 WIRING REQUIRE (sold separately)

Warning

The FIXTURE MUST BE WIRED AND INSTALL BY A QUALIFIED ELECTRICIAN,