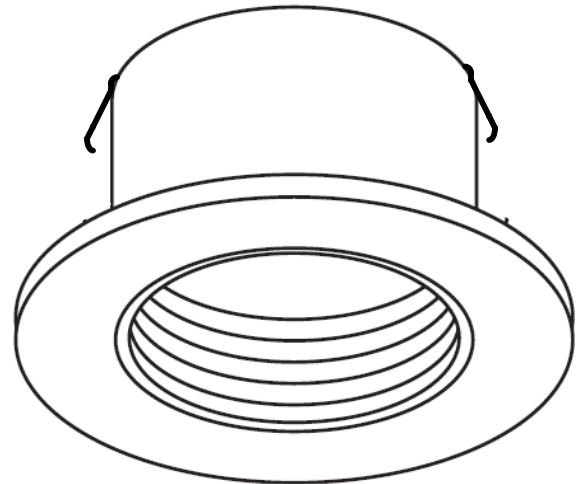
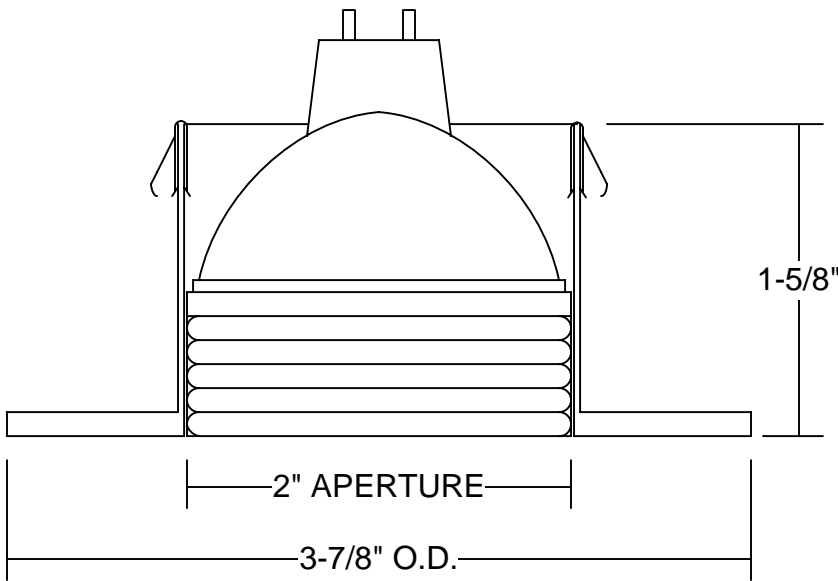




L I G H T I N G

ARLV3010

3-1/4" RECESSED STEP BAFFLE for MR16



Trim Finishes:	BL=Black, WH=White, CR=Polished Chrome, PB=Polished Brass, SA=Satin Aluminum & SC=Satin Copper
Baffle Finishes:	Black or White (black baffle standard, white baffle by request)
Lamp:	MR-16 12V (sold separately)
Socket Type:	Bi Pin
Housing & Wattage:	ARLV3000(35W Max.)
Protective Lens:	Clear - standard
Accessories:	Dichroic Filters (Blue=AF5-B, Red=AF5-R, Yellow=AF5-Y, Golden Amber=AF5-GA & Green=AF5-GR) Colored Filters (Blue=AF6-B, Red=AF6-R, Amber=AF6-A, Lavander=AF6-L, Pink=AF6-P, Yellow=AF6-Y & Green=AF6-G) Pattern Filters (Prismatic=AF7, Linear=AF8, Softening=AF9, Obscured=AF10, Diffused=AF11 & Frosted=AF14) Louvers (AF12)

ETL LISTED FOR DAMP LOCATION

