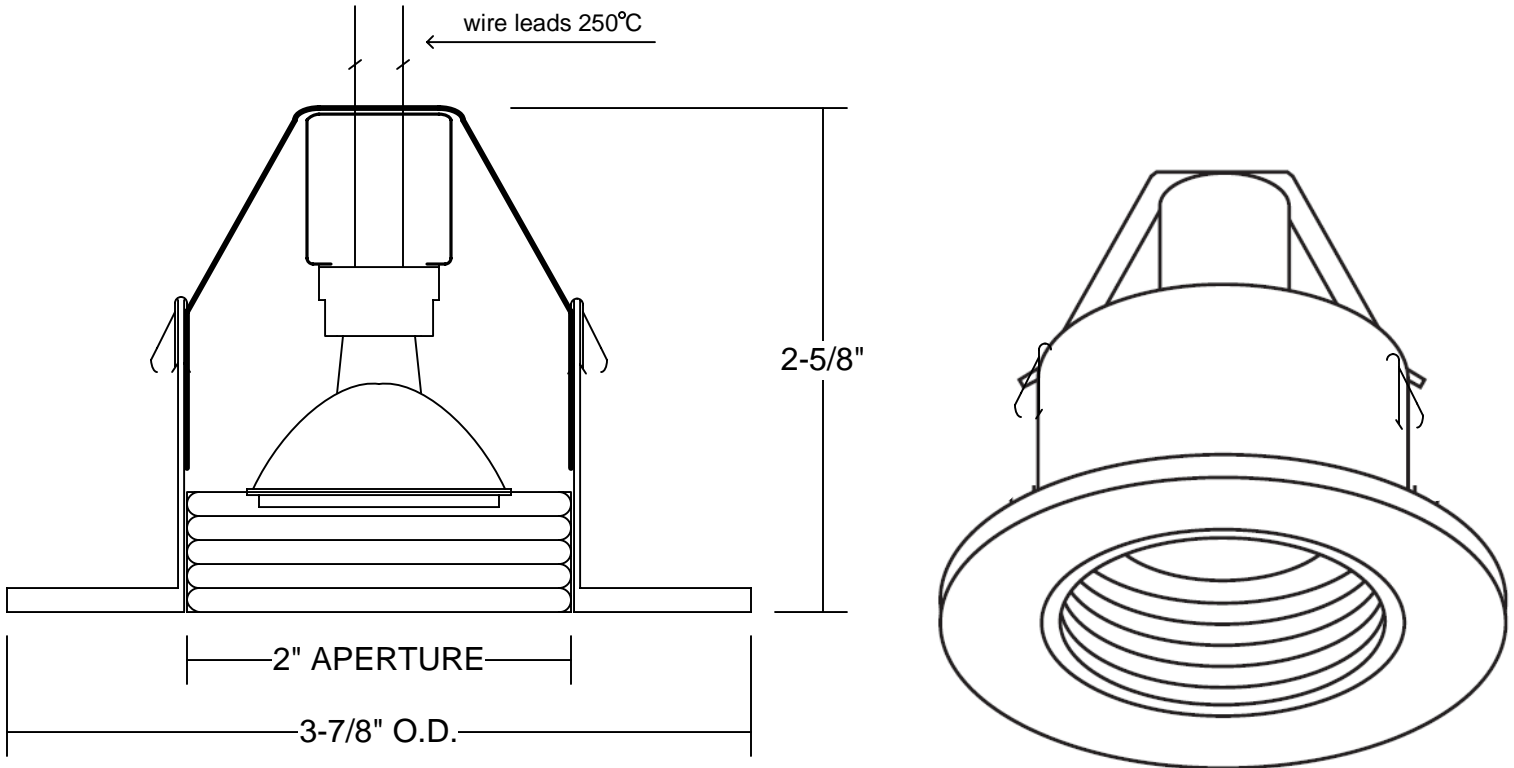




ARLV3020

L I G H T I N G

3-7/8" RECESSED STEP BAFFLE for MR11



- Trim Finishes: BL=Black, WH=White, CR=Polished Chrome, PB=Polished Brass, SA=Satin Aluminum & SC=Satin Copper
- Baffle Finishes: Black or White (black baffle standard, white baffle by request)
- Lamp: MR-11 12V with front glass (sold separately)
- Socket Type: Bi Pin
- Housing & Wattage: ARLV3000 (35W Max.) sold separately

ETL LISTED FOR DAMP LOCATION

