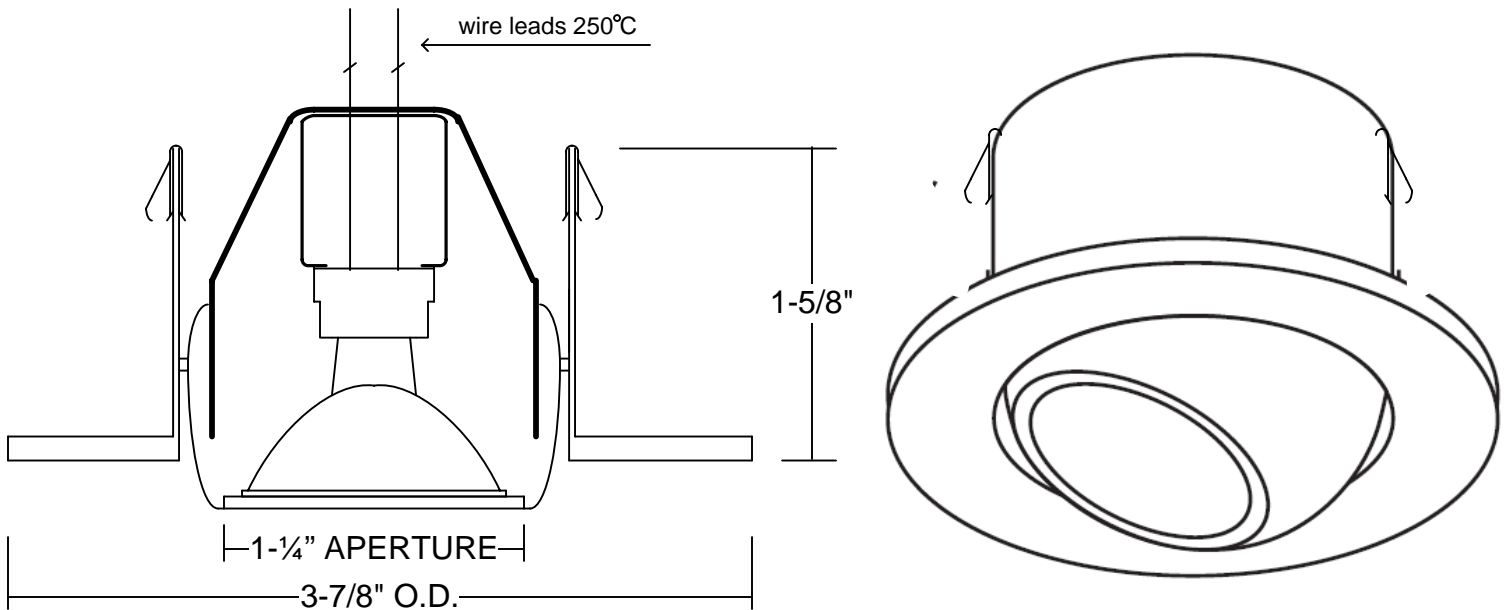




ARLV3080

3-7/8" EYEBALL ADJUSTABLE for MR11



- Trim Finishes:** BL=Black, WH=White, CR=Polished Chrome, PB=Polished Brass,
SA=Satin Aluminum & SC=Satin Copper
Lamp: MR-11 12V (sold separately)
Socket Type: Bi Pin
Housing & Wattage: ARLV3000(35W Max.)
Adjustability: 40°
Protective Lens: Clear - standard
Accessories: Frosted Lens & Honeycomb Louver=AF13

ETL LISTED FOR DAMP LOCATION

