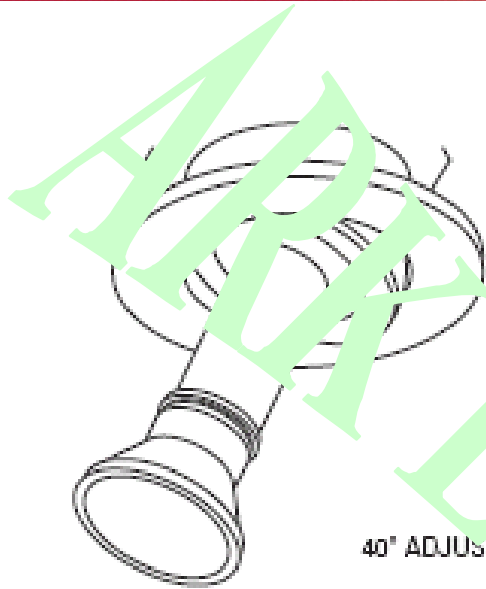
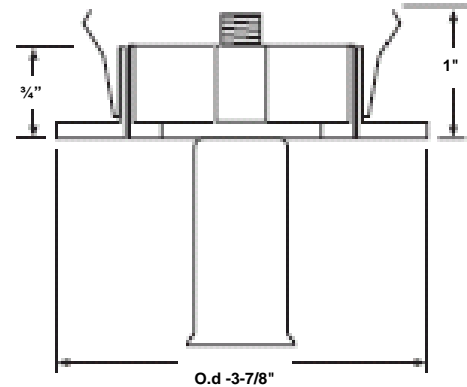


**ARLV-4050MP ADJUSTABLE MONO-POINT**



40° ADJUSTABLE



**CATALOG #:** ARLV-4050MP

**FINISH:** POLISHED BRASS ,CHROME ,SATIN ALUMINUM, SATIN COPPER

**FIXTURE:** ADJUSTABLE MONO POINT

**OUTSIDE DIAMETER:** CANOPY DIA. 3-7/8"

**LAMPS:** MR16 MR11 12V,50W MAX

**SOCKET TYPE:** BI-PIN, DOUBLE CONTACT BAYONET

**CEILING CUT-OUT:** 2-1/2"DIA

ALL LAMPS MUST HAVE COVER GLASS. AVAILABLE WITH VARIOUS STEM LENGTHS.  
AVAILABLE WITH THE POWER PACK FOR TRACK LIGHTING (CALL FOR DETAILS)  
(FOR CLASS 2 WIRING NO NEED FOR HOUSING)

