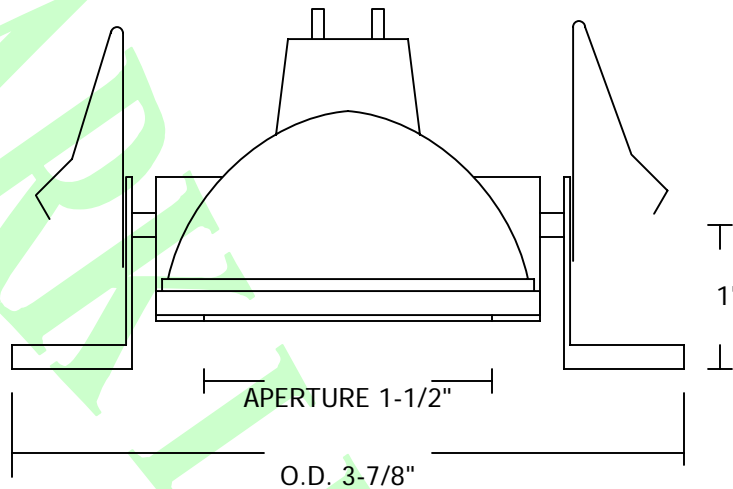




ARLV4055

3-7/8" REGRESSED GIMBAL RING ADJUSTABLE for MR16



- Trim Finishes: BL=Black, WH=White, CR=Polished Chrome, PB=Polished Brass, SA=Satin Aluminum & SC=Satin Copper
- Lamp: MR-16 12V (sold separately)
- Socket Type: Bi Pin
- Housing & Wattage: ARLV4000(35W Max.), ARLV5000(50W Max.), ARLV5000T(50W Max.), ARLV7000-IC(50W Max.), & ARLV7000T(50W Max.)
- Adjustability: 20°
- Protective Lens: Clear - standard
- Accessories:
- Dichroic Filters (Blue=AF5-B, Red=AF5-R, Yellow=AF5-Y, Golden Amber=AF5-GA & Green=AF5-GR)
 - Colored Filters (Blue=AF6-B, Red=AF6-R, Amber=AF6-A, Lavander=AF6-L, Pink=AF6-P, Yellow=AF6-Y & Green=AF6-G)
 - Pattern Filters (Prismatic=AF7, Linear=AF8, Softening=AF9, Obscured=AF10, Diffused=AF11 & Frosted=AF12)
 - Louvers (AF12)

ETL LISTED FOR DAMP LOCATION

