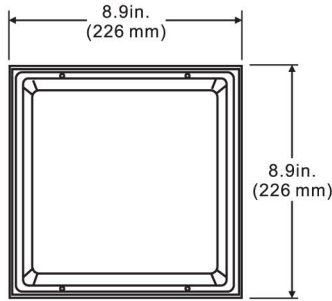
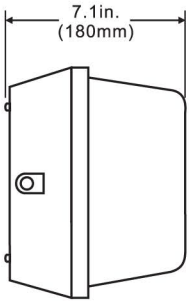


ASM009



Parking areas, entrances, walkways, underpasses, schools, garages and recreation areas.

DIMENSIONS



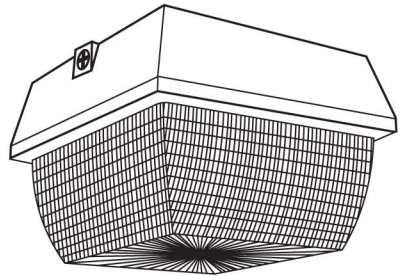
GENERAL SPECIFICATION

- UL listed for wet locations for ceiling and wall mounting
- Heavy duty die-cast aluminum powder coating construction
- High impact polycarbonate lens
- One piece anodized aluminum designed reflector for best light efficiency
- Silicone rubber included to prevent any leakage from the outside
- 1/2" tapped holes available for installing photocell (photocell optional)
- Ideal for HPS 100 Watts, MH 70 Watts, and 2XPL 9Watts Max

PHOTOCONTROL



LINE DRAWING



ITEM NO.	LAMP	VOLTS	BALLAST
SM009-P29	2X9W/CFL		HX-HPF
SM009-S10	HPS100W/ED17/E-26	QUAD	HX-HPF
SM009-H07	MH70W/ED17/E-26	QUAD	HX-HPF