



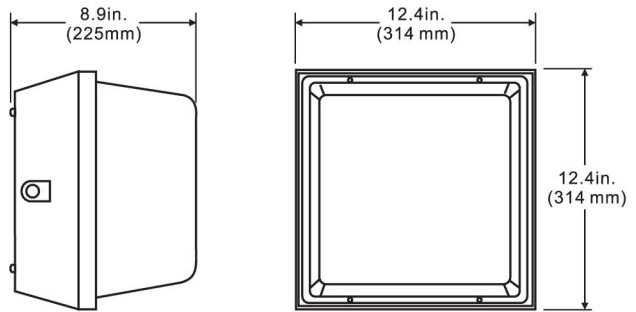
# ASM012

Parking areas, entrances, walkways, underpasses, schools, garages and recreation areas.

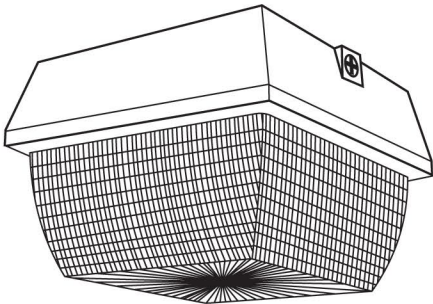
## GENERAL SPECIFICATION

- UL listed for wet locations for ceiling and wall mounting
- Heavy duty die-cast aluminum powder coating construction
- High impact polycarbonate lens
- One piece anodized aluminum designed reflector for best light efficiency
- Silicone rubber included to prevent any leakage from the outside
- 1/2" tapped holes available for installing photocell (photocell optional)
- Ideal for HPS 150 Watts, MH 175 Watts, and 2XPL 13Watts Max

## DIMENSIONS



## LINE DRAWING



## PHOTOCONTROL



ITEM NO.	LAMP	VOLTS	BALLAST
SM012-P213	2X13W/CFL		HX-HPF
SM012-S15	HPS150W/ED17/E-26	QUAD	HX-HPF
SM012-H17	MH175W/ED17/E-26	QUAD	HX-HPF