

ASM019

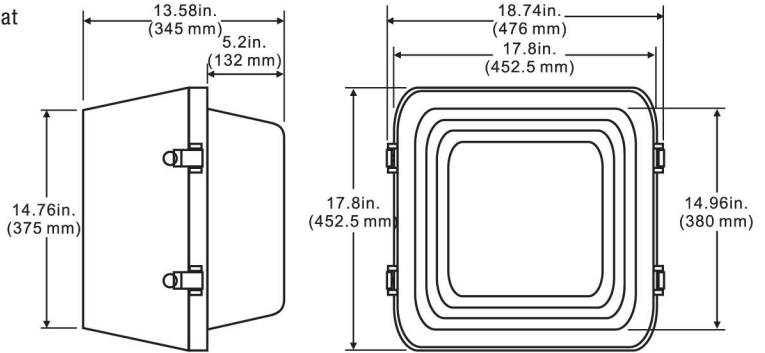


Parking areas, entrances, walkways, underpasses,
loading docks, recreation areas.

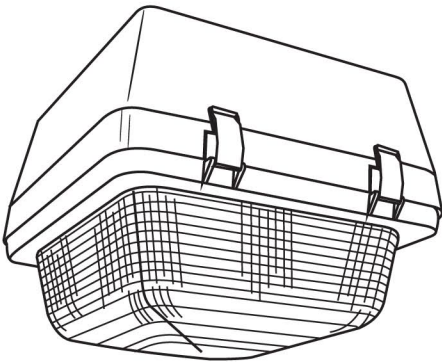
GENERAL SPECIFICATION

- UL listed for wet locations
- Heavy duty die-cast aluminum housing with high impact/heat resistant borosilicate glass for ultimate light distribution
- Borosilicate glass is hinge
- Powder coated finish on the heavy duty die cast housing
- Silicone rubber included to prevent any leakage from the outside
- 1/2" tapped holes available for installing photocell (photocell optional)
- One piece anodized aluminum designed reflector for best light efficiency
- Ideal for MH and HPS 400 Watts Max

DIMENSIONS



LINE DRAWING



PHOTOCONTROL



ITEM NO.	LAMP	VOLTS	BALLAST
SM019-S40	HPS400W/ED18/E-39	QUAD	HX-HPF
SM019-H40	MH400W/ED28/E-39	QUAD	HX-HPF