

# ASM021P

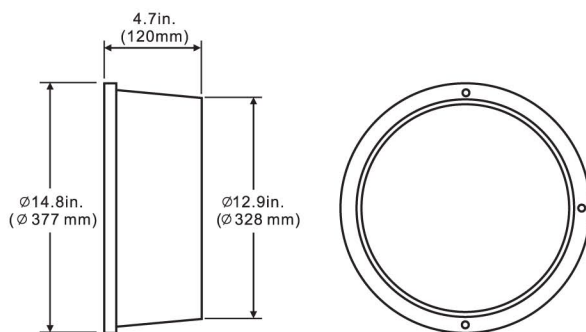


Parking areas, entrances, walkways, underpasses,  
loading docks, recreation areas.

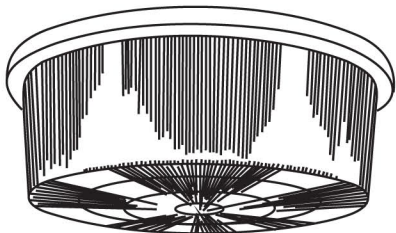
## GENERAL SPECIFICATION

- UL listed for wet locations for ceiling and wall mounting
- High impact polycarbonate lens
- Reflector is die-formed heavy gauge steel in white finish
- Ideal for 2 XPL13Watts Max

## DIMENSIONS



## LINE DRAWING



## PHOTOCONTROL



ITEM NO.	LAMP	BALLAST
SM021P-P213	2X13W/CFL	HX-HPF