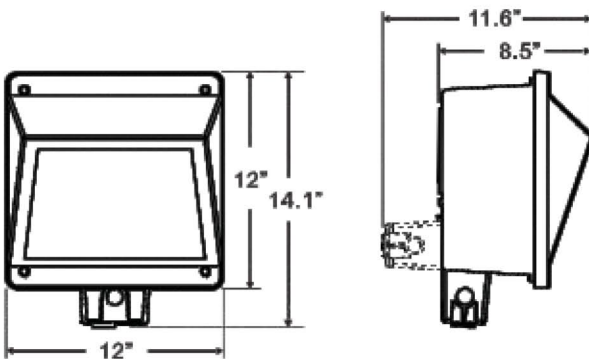




ASM090-A

Parking areas, entrances, walkways, underpasses, loading docks, recreation areas, tunnel.

DIMENSIONS



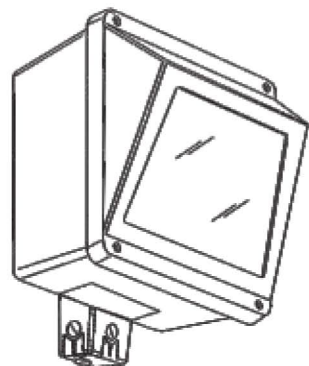
GENERAL SPECIFICATION

- UL listed for wet location and concrete and wood mounting.
- Three pieces precise heavy duty die casting aluminum powder coating finished.
- Heat and Impact resistant tempered glass lens.
- Heavy duty silicone rubber gasket included.
- Precise designed reflector for the best light efficiency.
- Dual-direction J-box design for horizontal and vertical mounting.
- Complete Stainless Steel external hardware.

PHOTOCONTROL



LINE DRAWING



ITEM NO.	LAMP	VOLTS	BALLAST
SM090A-P142	1X42W/CFL		IX-HPF
SM090A-S10	HP100W/ED17/E-26	QUAD	IX-HPF
SM090A-H10	MH100W/ED17/E-26	QUAD	IX-HPF