

ASM090-C

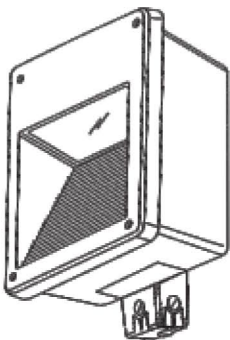


Parking areas, entrances, walkways, underpasses, loading docks, recreation areas, tunnel.

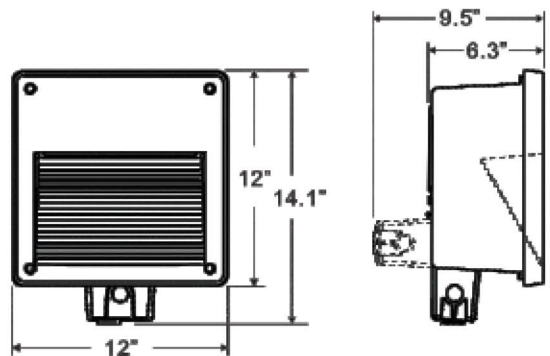
GENERAL SPECIFICATION

- UL listed for wet location and concrete and wood mounting.
- Three pieces precise heavy duty die casting aluminum powder coating finished.
- Heat and impact resistant tempered glass lens.
- Heavy duty silicone rubber gasket included.
- Precise designed reflector for the best light efficiency.
- Dual-direction J-box design for horizontal and vertical mounting.
- Complete Stainless Steel external hardware.

LINE DRAWING



DIMENSIONS



PHOTOCONTROL



ITEM NO.	LAMP	VOLTS	BALLAST
SM090C-P142	1X42W/CFL		HX-MPF
SM090C-S10	HPS100W/ED17/E-26	QUAD	HX-MPF
SM090C-H10	MH100W/ED17/E-26	QUAD	HX-MPF