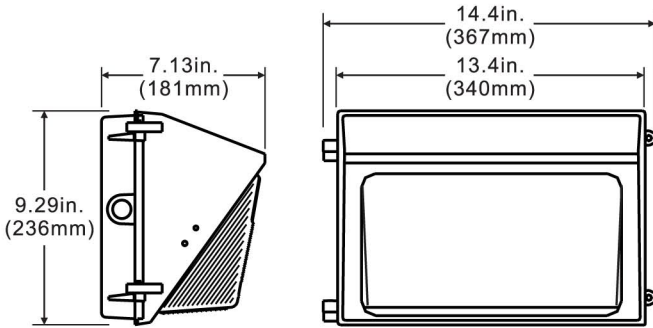


# ASM106

Parking areas, entrances, walkways, underpasses,  
loading docks, recreation areas, tunnel.

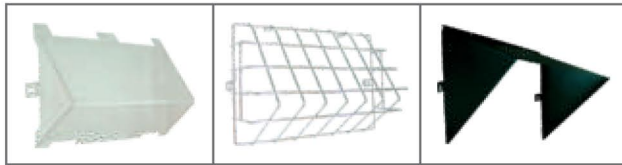
## DIMENSIONS



## GENERAL SPECIFICATION

- UL listed for wet locations
- Heavy duty die-cast aluminum housing with high impact/heat resistant borosilicate glass for ultimate light distribution
- Borosilicate glass is hinged and removable
- Dark Architectural Bronze Color
- Powder coated finish on the heavy duty die cast housing
- Silicone rubber included to prevent any leakage from the outside
- 1/2" tapped holes available for installing photocell (photocell optional)
- One piece anodized aluminum designed reflector for best light efficiency
- Ideal for MH 175 Watts and HPS 150 Watts Max

## ASSEMBLY PARTS



Vandal Shield

Wire Guard

Visor

ITEM NO.	LAMP	VOLTS	BALLAST
SM106-S15	HPS150W/ED17/E-26	QUAD	HX-HPF
SM106-H17	MH175W/ED17/E-26	QUAD	HX-HPF

## LINE DRAWING

