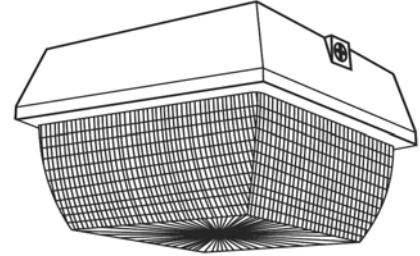
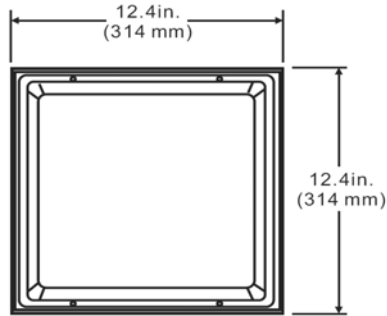
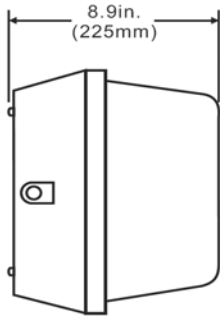


ASM-12 CEILING MOUNT



PRODUCT FEATURES

- * UL LISTED FOR WET LOCATIONS
- * HEAVY DUTY DIE-CAST ALUMINUM HOUSING WITH HIGH IMPACT / HEAT RESISTANT BOROSILICATE
- * HIGH IMPACT POLYCARBONATE LENS
- * DARK BRONZE COLOR
- * POWDER COATED FINISH ON THE HOUSING
- * SILICONE RUBBER INCLUDED TO PREVENT LEAKAGE
- * 1/2" TAPPED HOLES AVAILABLE FOR INSTALLING PHOTOCELL (PHOTOCELL OPTIONAL)
- * ONE PIECE ANODIZED ALUMINUM DESIGNED REFLECTOR FOR BEST LIGHT EFFICIENCY



IDEAL FOR PARKING AREAS,
ENTRANCES, WALKWAYS,
UNDERPASSES, LOADING DOCKS,
RECREATION AREAS.

* IDEAL FOR 175MH WATTS, 150HPS WATTS MAX OR 2 X PL42

| CATALOG # | RATING | LAMPS | DIMENSIONS |
|-------------|-------------------------------|--------------|----------------------------|
| ASM12-MH | 175W MAX MT(SPECIFY WATTAGE) | METAL HALIDE | 12.4" W X 12.4" H X 8.9" D |
| ASM12-HPS | 150W MAX MT(SPECIFY WATTAGE) | H.P.S | 12.4" W X 12.4" H X 8.9" D |
| ASM12-2PL42 | 2PL42 (84W MAX 120 OR 277V) | 2PL42 | 12.4" W X 12.4" H X 8.9" D |

