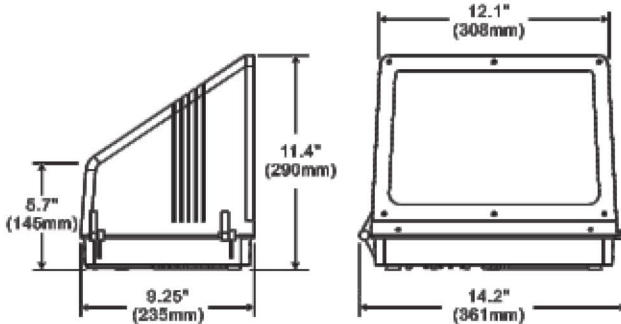


# ASM311



Parking areas, entrances, walkways, underpasses,  
loading docks, recreation areas, tunnel.

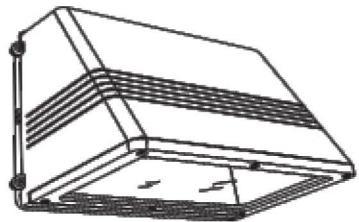
## DIMENSIONS



## GENERAL SPECIFICATION

- UL listed for wet locations
- Heavy duty die-cast aluminum powder coating construction
- Heat and impact resistant tempered glass lens
- Dark Architectural Bronze Color
- Powder coated finish on the heavy duty die cast housing
- Silicone rubber included to prevent any leakage from the outside
- One piece anodized aluminum designed reflector for best light efficiency
- Ideal for MH 175 Watts and HPS150 Watts Max

## LINE DRAWING



ITEM NO.	LAMP	VOLTS	BALLAST
SM311-S16	HPS150W/ED17/E-26	QUAD	HX-HPF
SM311-H17	MH175W/ED17/E-26	QUAD	HX-HPF