



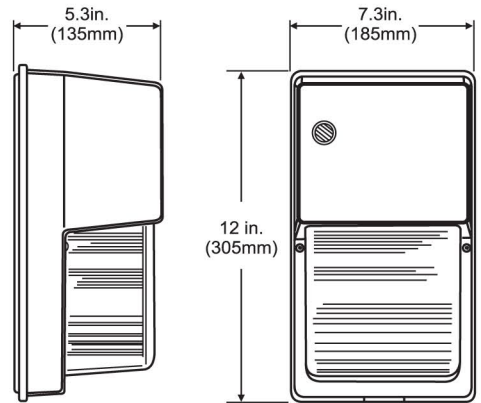
ASM353

Parking areas, entrances, walkways, underpasses,
loading docks, recreation areas.

GENERAL SPECIFICATION

- UL listed for wet locations
- Heavy duty die-cast aluminum housing with high impact/heat resistant borosilicate glass for ultimate light distribution
- Aluminum base plate with conduit access
- One piece anodized aluminum designed reflector for best light efficiency
- Silicone rubber included to prevent any leakage from the outside
- 1/2" tapped holes available for installing photocell (photocell optional)
- Ideal for MH and HPS 100 Watts Max

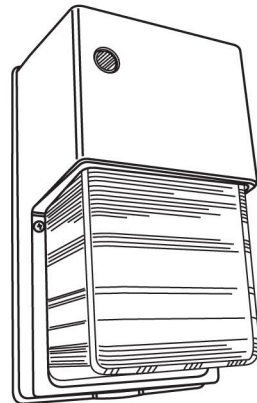
DIMENSIONS



PHOTOCONTROL



LINE DRAWING



ITEM NO.	LAMP	VOLTS	BALLAST
SM353-P142	1X42W/CFL		HX-HPF
SM353-S10	HPS100W/ED17/E-26	QUAD	HX-HPF
SM353-H10	MH100W/ED17/E-26	QUAD	HX-HPF