



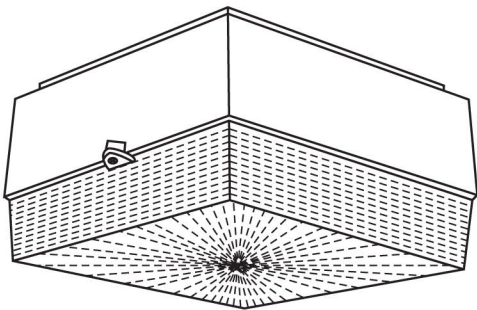
ASM354

Parking areas, entrances, walkways, underpasses,
loading docks, recreation areas.

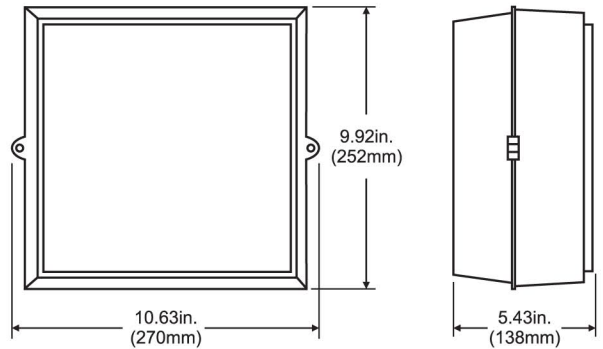
GENERAL SPECIFICATION

- UL listed for wet locations
- High impact polycarbonate lens and housing
- One piece anodized aluminum designed reflector for best light efficiency
- Silicone rubber included to prevent any leakage from the outside
- 1/2" tapped holes available for installing photocell (photocell optional)
- Ideal for HPS 70 Watts , MH 50 Watts and 2 XPL13 Watts Max

LINE DRAWING



DIMENSIONS



PHOTOCONTROL



| ITEM NO. | LAMP | VOLTS | BALLAST |
|------------|------------------|-------|---------|
| SM354-P213 | 2X13W/CFL | | HX-HPF |
| SM354-S07 | HPS70W/ED17/E-26 | QUAD | HX-HPF |
| SM354-H05 | HPS50W/ED17/E-26 | QUAD | HX-HPF |