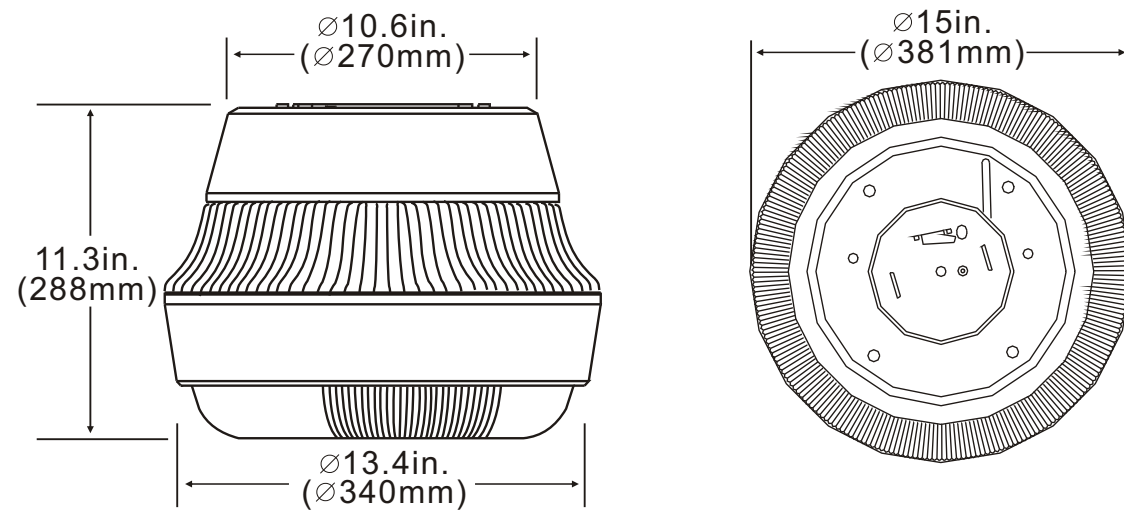


## DIMENSIONS



# ARCHITECTURAL PARKING GARAGE LED LIGHTING



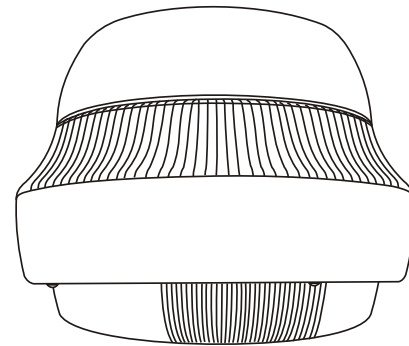
## ASML-023



# ASML-023

## ARCHITECTURAL PARKING GARAGE LED LIGHTING

### LINE DRAWINGS



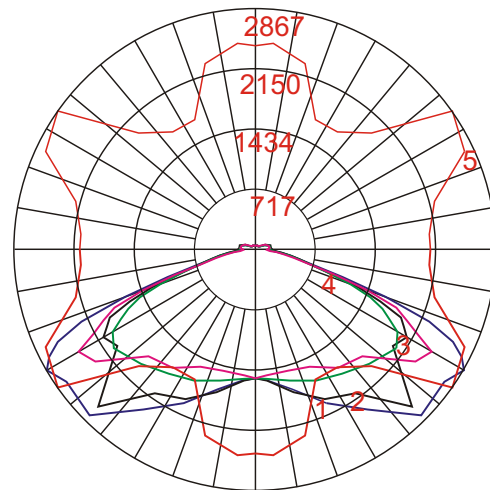
### APPLICATIONS

Parking areas, underpasses, tunnels, and warehouse aisles.

### GENERAL SPECIFICATION

- UL and CUL listed for wet locations
- Heavy duty die-cast aluminum housing
- One piece aluminum precision designed reflector for best light efficiency.
- Precision injection-molded, UV acrylic optic assembly polycarbonate option available.
- Quartz Restrike feature available.
- 26 LED
- System watts — 75W
- Total system lumens — 4,522LM
- Equivalent — 150W-200W MH

### PHOTOMETRIC



### SPECIFICATION

Die cast aluminum upper housing with UV inhabitant powder coating finish.

Die cast aluminum lower housing with UV inhabitant powder coating finish.



The precision prismatic lens, with UV-resistanthigh impact acrylic and a thickness of 0.11", provides optimal lighting and security features that for modern garages requirement. The hinged lens provides easy and hands-free lamp replacement.

### MOUNTING STEPS



Mount the plate to the your standard J-Box.



Hang the fixture to the plate by clicking the hooks in to the upper housing.



With hands-free, make fasster which save time and money.



Lift the fixture, and turn it clockwise until the fixture is tightly secured to the plate.