

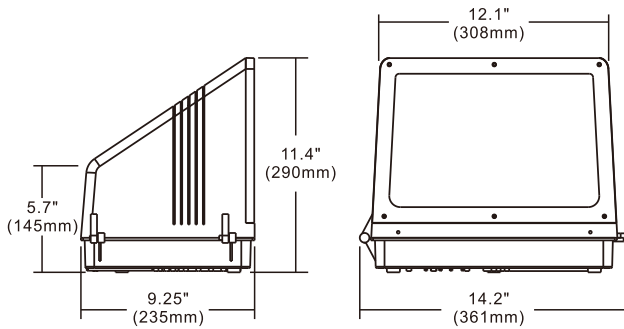
ASML-311-L1 & L2



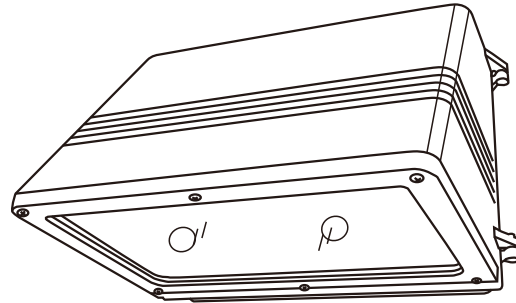
Utilizing the latest generation of LED chips, this uniquely designed wallpack delivers a similar light output to a 150 /250 W metal halide but with only 1/3 energy consumption. Housing made of die-casting aluminum with reliable powder coating specifically for harsh outdoor environment, It is attractive in appearance and performance. Fixture is full-cutoff dark sky compliant.

Optional now in 3000K*/4000K*/5000K*

Dimensions



Line Drawing



Features

- Die-cast aluminum body
- UV stabilized powder coated finish
- UL and CUL listed for wet locations
- Heat and impact resistant tempered glass
- DLC listed
- IC protection
- Surge protector 10K optional
- Finish - Bronze

Specification

Model No.	System watts	Lumen Output	Color	MA	Input Voltage	CRI	Starting Temp	Equivalent
ASML-311-L1	37	2998lm**	3K/4K/5K	900MA	120~277V	70+	-40°C	150W MH
ASML-311-L2COB	74	6499m**	3K/4K/5K	900MA	120~277V	70+	-40°C	150W MH

Different colors are available with 4 week lead time.

**DISCLAIMER: This test report was produced in accordance with IES LM-79 photometric testing protocol for luminaires, using a single representative test fixture. Actual production units may vary from the values reported here by up to ±10%.

