

ASML-364A-L1



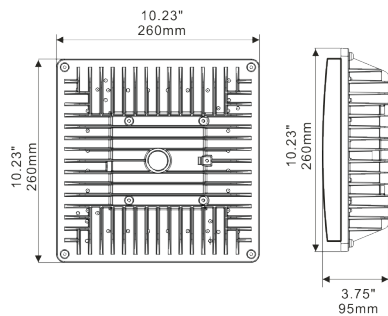
This canopy light has a slim and low profile design which provides safe and a visually appealing lighting experience. Luminaire can be mounted directly to the ceiling also 3/4" pendent mounting option is available. Quick mount structure for contractors to work safely and easily in the confined-space areas. It is a perfect solution to replace 100 metal halide lamp with a benefit of low maintenance cost.



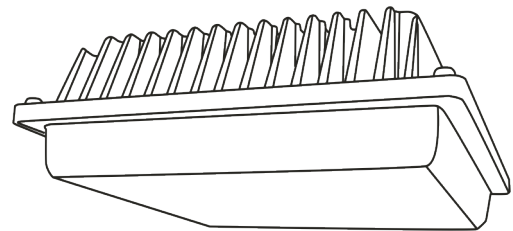
Contractor friendly "EASY MOUNT" solution

Optional now in 3000K*/4000K*/5000K*

Dimensions



Line Drawing



Features

- Solid construction die-cast aluminum body
- UV stabilized power coated finish
- Unique quick mount design

- UL and CUL listed for wet locations
- Glare -free
- Finish - Bronze White Black /Others

Specification

Model No.	System watts	Lumen Output	Color	MA	Input Voltage	CRI	Starting Temp	Equivalent
ASML-364A-L1	33	2976lm**	3K/4K5K	830MA	120~277V	70+	-40°C	100W MH
ASML-364A-L1	58	5524lm**	3K/4K/5K	1400MA	120~277V	70+	-40°C	100W - 150W MH

* Different colors are available with 4 week lead time.

**DISCLAIMER: This test report was produced in accordance with IES LM-79 photometric testing protocol for luminaires, using a single representative test fixture. Actual production units may vary from the values reported here by up to ±10%.

Powered by CREE LED

