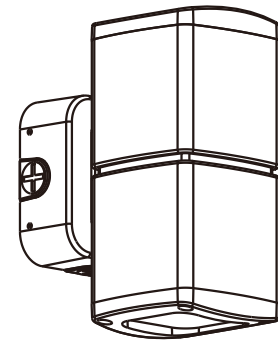
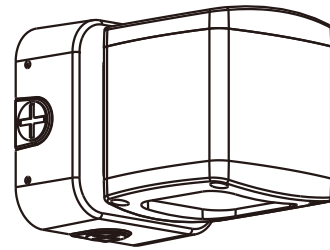


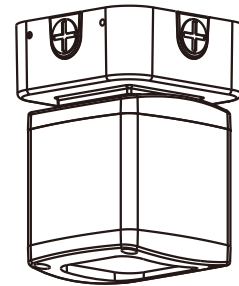
Line Drawing



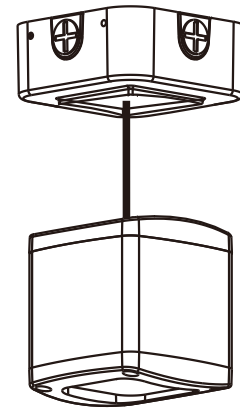
ASML-326-D



ASML-326-W

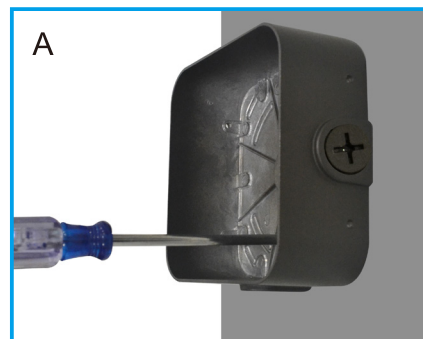


ASML-326-C

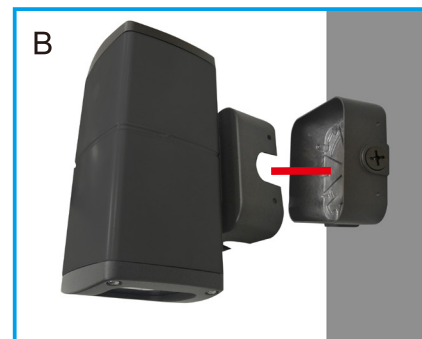


ASML-326-P

Mounting Steps For ASML-326



A Mount the junction box onto the wall.



B Connect the wires inside the junction box. Mount the fitting onto the junction box.



C Utilizing the four screws, connect the fitting onto the junction box.

1435 West 139th Street Gardena CA 90249
Phone: 310.323-2275 Fax: 310.323-6275
Email: info@arklighting.com

ARCHITECTURAL SURFACE MOUNT LIGHTING

Offered By ARK Lighting

ASML-326-C/D/W/P



ASML-326-D



ASML-326-C



ASML-326-P

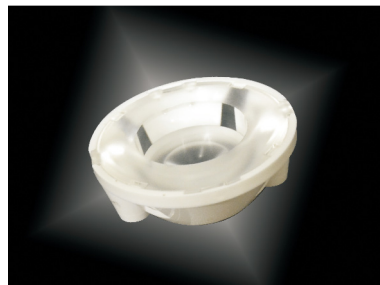
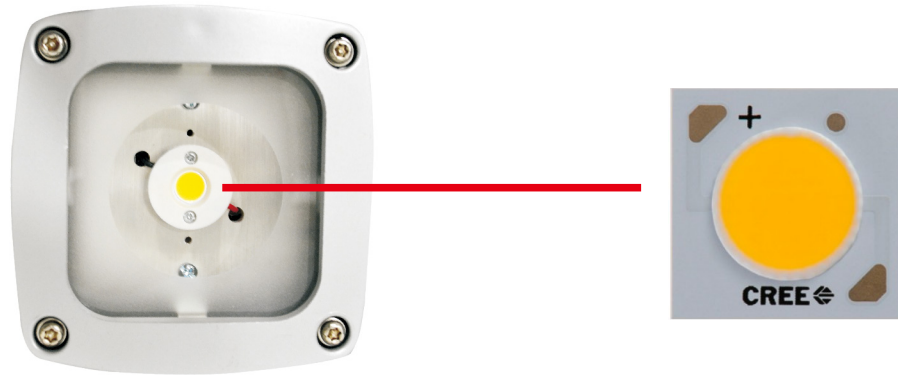


ASML-326-W

Optional now in 3000K*/4000K*/5000K*

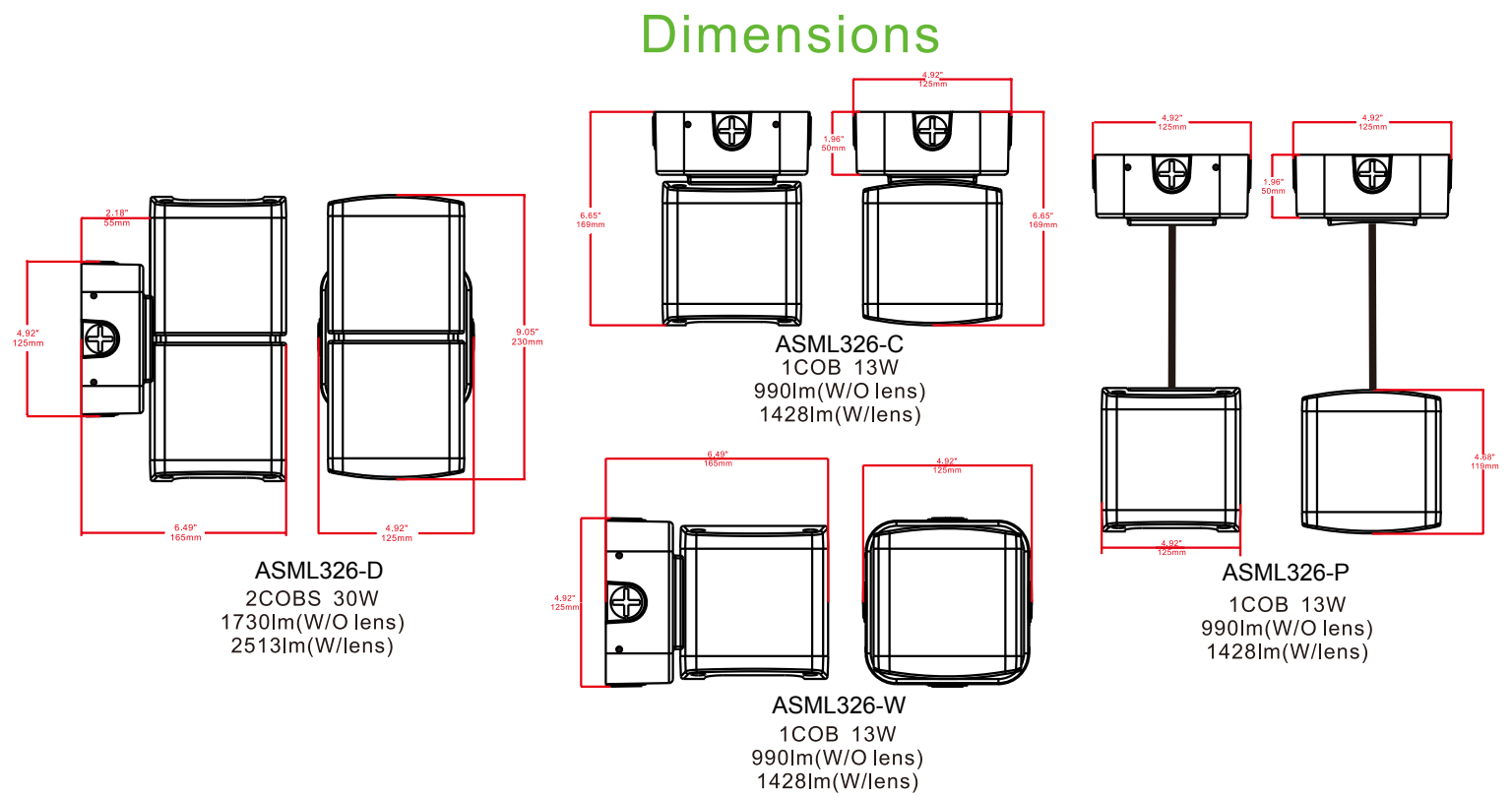


ASML-326-C/D/W/P ARCHITECTURAL LED LIGHTING

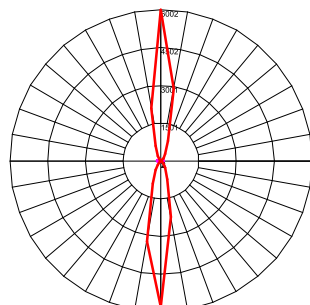


This architectural LED luminaire is suitable for many environments. It can be wall-mounted, pendant-mounted, and canopy-mounted. It can be used for indoor purposes as well as outdoor environments. Utilizing patented heat sink design to lower Tj temperature, this luminaire can last for a very long time with very little lumen depreciation. With various optics available, this product is a lighting designer's perfect companion!

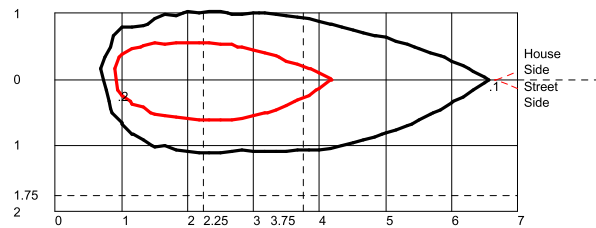
25° Optics available



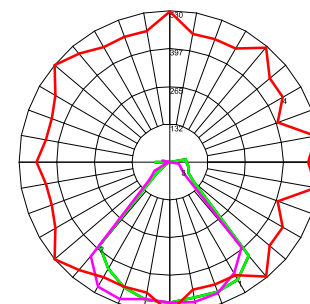
Photometrics



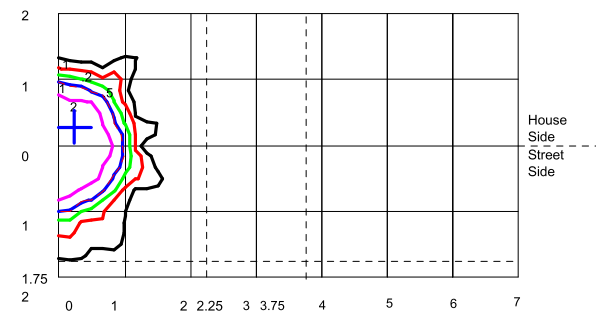
Maximum Candela = 6002.30 Located At Horizontal Angle = 90, Vertical Angle = 90.5
1 - Vertical Plane Through Horizontal Angles (0 - 180)
2 - Vertical Plane Through Horizontal Angles (180 - 0)
3 - Vertical Plane Through Horizontal Angles (45 - 225)
4 - Horizontal Cone Through Vertical Angle (90.5) (Through Max. Cd.)



ASML326-D



Maximum Candela = 529.69 Located At Horizontal Angle = 140, Vertical Angle = 20
1 - Vertical Plane Through Horizontal Angles (0 - 180)
2 - Vertical Plane Through Horizontal Angles (180 - 0)
3 - Vertical Plane Through Horizontal Angles (45 - 225)
4 - Horizontal Cone Through Vertical Angle (20) (Through Max. Cd.)



ASML326-C-W-P

Description

Model No.	ASML326-C-W-P	ASML326-D
System Watts	13 Watts	30 Watts
Lumen Output	990(W/O)/1428(W) LM	1730(W/O)/2513(W) LM
Color	5000K	5000K
MA	350MA	700MA
Input Voltage	120V~277V	120V~277V
CRI	70+	70+
Starting Temp	-40°C	-40°C
IP Rating	IP65	IP65
LED Source	CREE	CREE