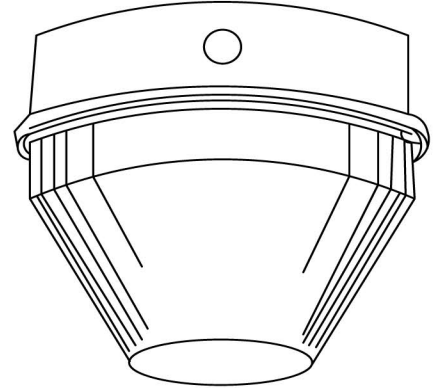
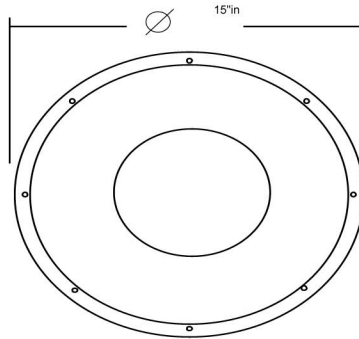
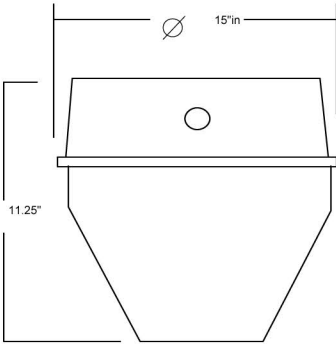




ARK
LIGHTING

AVNGL-40 VANDAL RANAL RESISTANT GARAGE LIGHT



PRODUCT FEATURES

- * UL LISTED FOR WET LOCATIONS
- * HIGH IMPACT POLYCARBONATE
- * WHITE REFLECTOR
- * DARK BRONZE COLOR
- POWDER COATED FINISH ON THE HOUSING
- * 1/2" TAPPED HOLES AVAILABLE FOR INSTALLING PHOTOCELL (PHOTOCELL OPTIONAL)
- * IDEAL FOR MH 175 WATTS, HPS 150 WATTS MAX AND 1 OR 2 PL 42W

IDEAL FOR PARKING AREAS,
ENTRANCES, WALKWAYS,
UNDERPASSES, LOADING DOCKS,
RECREATION AREAS.

CATALOG #	RATING	LAMPS	DIMENSIONS
AVNGL40-MH	175W MAX MT (SPECIFY WATTAGE)	METAL HALIDE	∅ 15" X 11.25"D
AVNGL40-HPS	150W MAX MT (SPECIFY WATTAGE)	H.P.S	∅ 15" X 11.25"D
AVNGL40-2PL42	84W MAX 120-277 (SPECIFY WATTAGE)	2-PL42	∅ 15" X 11.25"D

