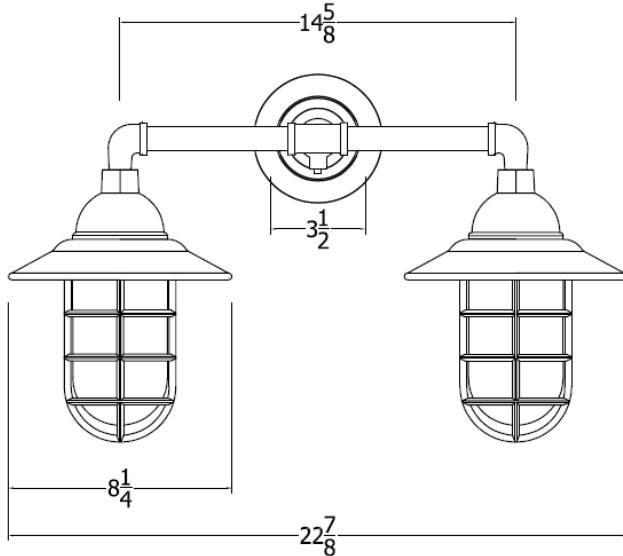




AVS8-WM-21

TWIN LIGHTS WALL LANTERN



- AVS8S-WM-2X
- AVS8S-WM-2X-200W Incandescent
- AVS8S-WM-2X-13CF-120
- AVS8S-WM-2X-26CF-120
- AVS8S-WM-2X-32CF-120
- AVS8S-WM-2X-32CF-120 6.5W A19 LED

COVER NUT. Die cast aluminum with 1/2" N.P.T. or 3/4" N.P.T. accepts conduit pipe or cord strain relief.

SOCKET. Two-piece heavy duty ceramic medium base socket.

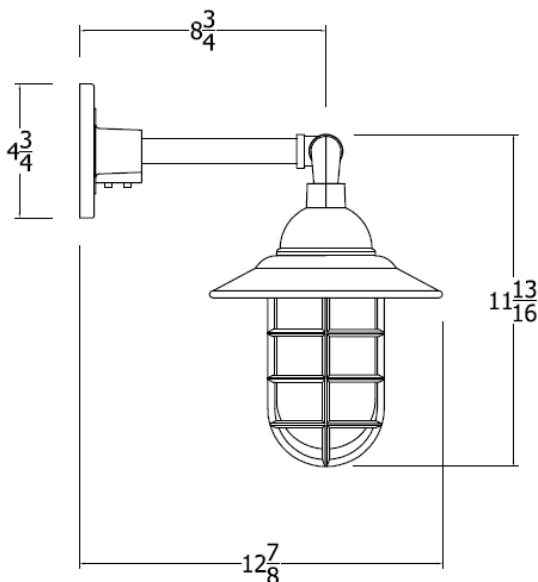
SHADE. Heavy gauge cold rolled steel and coated with genuine powder or electro plating. Galvanized finish is hot zinc dip. (Also available in solid copper)

ACCESSORIES AND OTHER OPTIONS

Bottom lens or globes & Guard

26W, 32W, 120 or 277V Fluorescent (ballast mounted inside the neck, globe or lens option is required for outdoor use)

SIDE VIEW



FINISHES

- White = 0
- Blue = 2
- Green = 3
- Dark Bronze = 4
- Yellow = 5
- Red = 6
- Galvanized = 8
- Painted Chrome = 10
- Satin Copper = 11
- Satin Nickel = 12
- Painted Copper = 15
- Unfinished = 22

(for custom colors please contact us)

MUST BE INSTALLED BY A QUALIFIED ELECTRICIAN

ETL LISTED FOR WET LOCATION

