

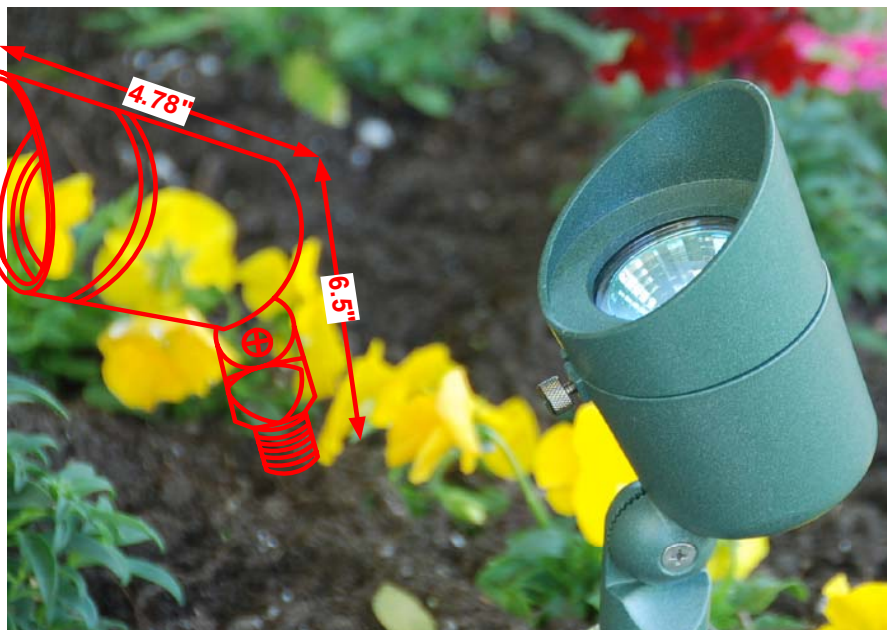
# LANDSCAPE FLOOD LIGHTING



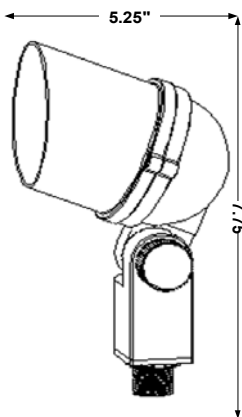
**APPLICATIONS :** Ideal for Landscape lighting, Parks,

## AND-121, ND-161 AND 361

DIRECTIONAL LIGHTS HAVE CAST ALUMINUM HOUSINGS . ALL FIXTURES AVAILABLE IN CAMEL (CM), VERDE GREEN (VG), OR WEATHERED BROWN (WB). OR BLACK (BK)

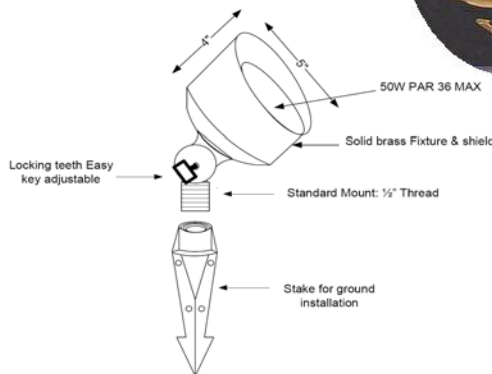


## AND-161

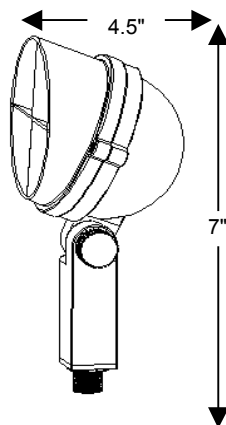


## ALS-30B

Solid Brass w/swivel arm & light shield .  
12V 50W max Par 36 lamp



## AND-361



SEE PAGE 21 FOR TRANSFORMER

CATALOG #	MAX WATTS & TYPE	VOLTAGE
ALS-30B	36W PAR 38	12V
AND-121	50W MR16	12V
AND-161	50W MR16	12V
AND-361	50W PAR36	12V
ANA-121	ABS PLASTIC, 8-3/4" H x 1-3/4" W	
AGRP-320	GROUND SPIKE, 19" H x 2-1/2" W & 1/2"PT	



**ANA-121**



**AGRP-320**