



7W MR16 CRI 80 500 Lumens

by LUX Technology Group

Model: **LMR16JAGU53D07-30KF**

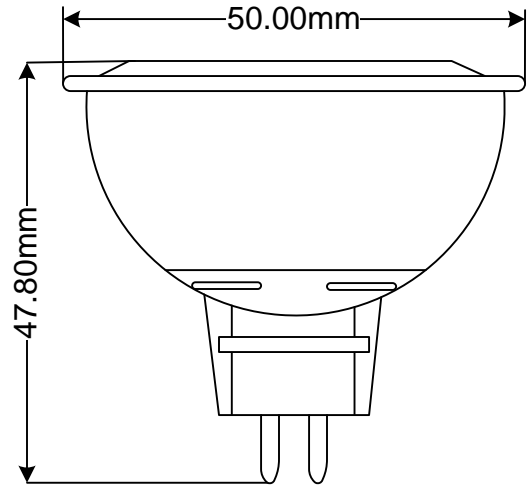


Benefits

- *Standard MR16 50mm x 48mm
- *500 lumens output for 50W Halogen replacement
- *Excellent color rendering of 80 CRI
- *Smooth dimming to 10%
- *Maintenance free with 25,000hr lifetime
- *Energy Star qualified
- *5 Year warranty
- *UL listed

Features

LED Power	7W
Delivery Lumen Equivalent	500lumens 50W Halogen
Life time	25,000 hours
Color Rendering	80 CRI
Connector	GU5.3
Beam Spread	38°
Operating Temperature	-20°C to 40°C
Voltage	12V AC/DC
Power factor	0.9



Application residential ,Restaurant , Corporate, Government School



1435 West 139th Street Gardena, CA 90249 Tel: 310-323-2275 Fax: 310-323-6275
 Website :www.arklighting.com Email :info@arklighting.com